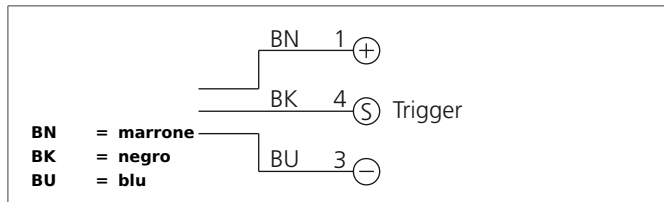


BEK-K50/50-G3TI-IBS

Coaxial light

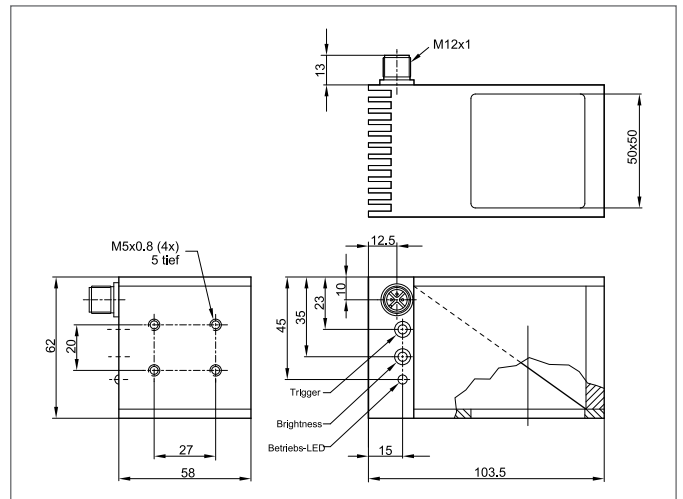


- Integrated current regulation
- Constant level of light intensity over the entire voltage range
- Homogenous illumination
- External trigger input
- High efficiency
- Light intensity can be adjusted
- Robust metal casing



Safety instructions

The Instruments are not to be used for safety applications, in particular applications in which safety of persons depends on proper operation of the instruments. These instruments shall exclusively be used by qualified personnel.



TECHNICAL INFORMATION (typ.)	+20°C, 24V DC
Illuminated area	50 x 50 mm
Light colour	Blue, 469 nm
Emission angle FWHM	120°
Illumination intensity	7.5 klx (5 mm), 4.0 klx (30 mm), 2.2 klx (50 mm)
Service voltage	18 ... 35 V DC (Supply Class 2)
No-load current	310 mA, (24 V DC)
Trigger input low level	0 ... < 2,8 V
Trigger input high level	> 3,3 ... 35 V
Power	7,4 W (24 V DC)
Shock-/vibration load	10 ... 55 Hz / 1,0 mm / 30 g
Inverse polarity protection	Yes
Display	LED: green - Operation
Ambient temperature, operation	0 ... +40 °C
Protection class	IP 20
Protection degree	III, operation on protective low voltage
Risk group (DIN EN 62471)	Free group
Casing material	Aluminium black anodized
Material	Mineral glass (Window)
Connection	Connector, M12, 3-poled
Connecting cable	VK ...