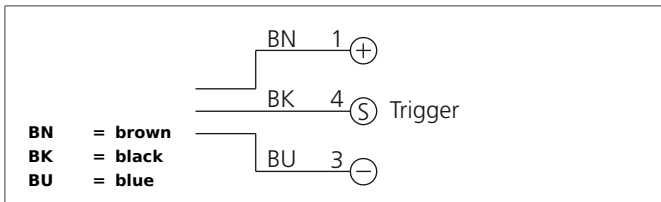
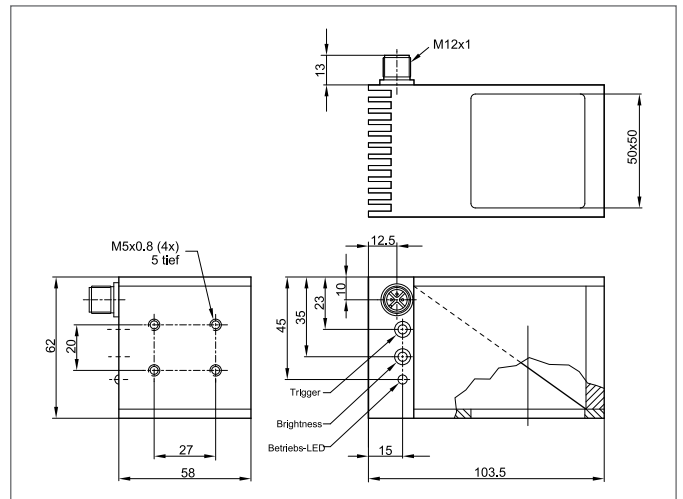


- Integrated current regulation
- 在整个电压范围内都能保持恒光强度水平
- 同质光源
- 外连触发输入
- 高效率
- 光密度可调
- 结实的金属外壳



**Safety instructions**

The Instruments are not to be used for safety applications, in particular applications in which safety of persons depends on proper operation of the instruments.  
 These instruments shall exclusively be used by qualified personnel.



TECHNICAL INFORMATION (typ.)		+20°C, 24V DC
照明区域		50 x 50 mm
光的颜色		Green, 525 nm
发射角度		120 °
照明密度		14.2 klx (30 mm), 6.8 klx (50 mm), 23.6 klx (5 mm)
工作电压		18 ... 35 V DC (Supply Class 2)
内部功耗		300 mA, (24 V DC)
输入低电平触发		0 < 2,8 V
输入高电平触发		> 3.3 35 V
功率		7,2 W (24 V DC)
负载振荡		10 ... 55 Hz / 1,0 mm / 30 g
极性接反保护		是
显示		LED灯：绿色，工作状态
环境温度		0 +40 °C
防护等级		IP 20
防护等级		III,在保护性低电压下工作
危险类 (DIN EN62471标准)		Free group
外壳材料		Aluminium black anodized
材料		Mineral glass (视窗)
连接		Connector, M12, 3-poled
Connecting cable		VK ...