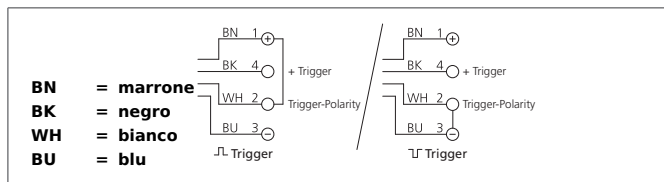


BEK-A300-G3T-K-BS

Barlight

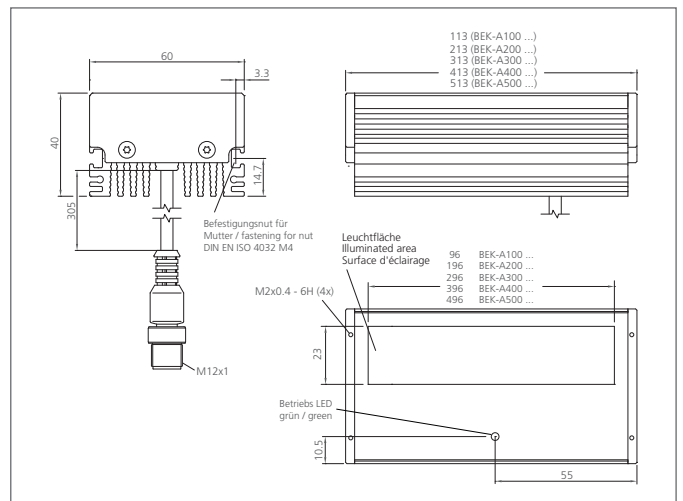
- Extremely high light intensity thanks to most modern high power LEDs
- Integrated single-line power control with high efficiency
- Intelligent temperature control with switch-off automatic
- Homogeneous light field thanks to special LED-optics
- High protection class
- Separate entries for trigger signal and trigger polarity
- Robust metal casing
- Universal mounting possibility
- Scratch-proof protection window
- Mounts und Optics available as an option



Safety instructions

The Instruments are not to be used for safety applications, in particular applications in which safety of persons depends on proper operation of the instruments.

These instruments shall exclusively be used by qualified personnel.



TECHNICAL INFORMATION (typ.)	+20°C, 24V DC
Design	Barlight
Illuminated area	23 x 296 mm
Characteristics	Internal control of power output
Light colour	Blue, 470 nm
Emission angle FWHM	30°
Illumination intensity	39.0 klx (0.1 m), 20.0 klx (0.2 m), 7.5 klx (0.5 m)
Service voltage	18 ... 30 V DC (Supply Class 2)
No-load current	1.350 mA, (24 V DC)
Trigger input low level	0 ... < 2,8 V
Trigger input high level	> 3,3 ... 30 V
Power	32,0 W (24 V DC)
Shock-/vibration load	10 ... 55 Hz / 1,0 mm / 30 g
Inverse polarity protection	Yes
Display	LED: green - Operation
Ambient temperature, operation	0 ... +40 °C
Protection class	IP 67
Protection degree	III, operation on protective low voltage
Risk group (DIN EN 62471)	Risk group 2
Casing material	Aluminium black anodized
Material	PMMA, hardcoated (protective glass)
Connection	Cable, 0,3 m, + connector M12, 4-poled
Weight	1050 g
Connecting cable	VK ...