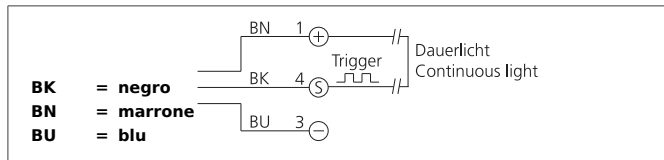
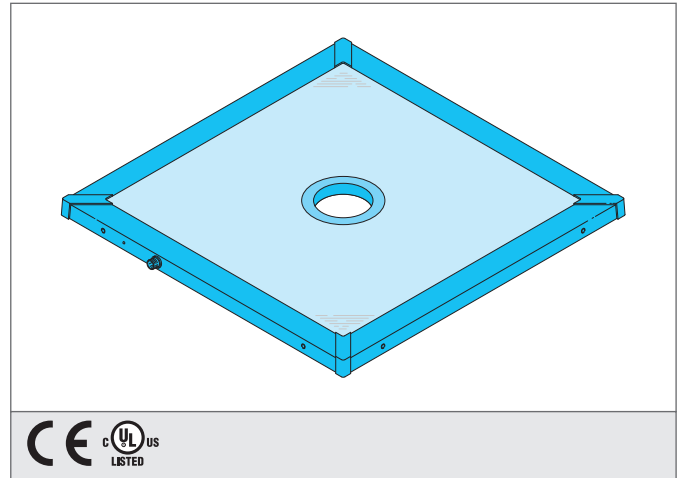


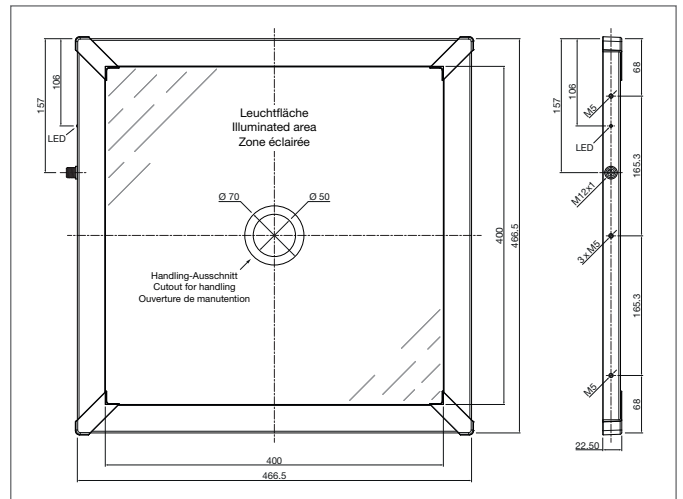
**Backlight**

- Extruded aluminium section bar
- Modular design for individual sizes
- Centrally located handling cutout
- Constant level of light intensity over the entire voltage range
- Homogenous luminous field
- External trigger input
- High efficiency



**Safety instructions**

The Instruments are not to be used for safety applications, in particular applications in which safety of persons depends on proper operation of the instruments.  
 These instruments shall exclusively be used by qualified personnel.



<b>TECHNICAL INFORMATION (typ.)</b>		<b>+20°C, 24V DC</b>
Design	Backlight	
Illuminated area	400 x 400 mm	
Characteristics	Trigger input, robust design, individual sizes available, Cutout for handling, round, Ø 50 mm, centrally located	
Light colour	White, 5700 K	
Service voltage	24 V DC ± 5%, (Supply Class 2)	
No-load current	1.300 mA, (24 V DC)	
Trigger input low level	< 2,9 V	
Trigger input high level	> 3,3 V	
Power	32,0 W (24 V DC)	
Inverse polarity protection	Yes	
Display	LED: green - Operation	
On-delay time (Trig.)	< 0,010 ms	
Switch off delay (Trig.)	< 0,100 ms	
Ambient temperature, operation	0 ... +40 °C	
Protection class	IP 20	
Protection degree	III, operation on protective low voltage	
Risk group (DIN EN 62471)	Free group	
Casing material	Aluminium black anodized	
Material	PMMA (Protection optics)	
Connection	Connector, M12, 3-poled	
Weight	5500 g	
Connecting cable	VK ...	

# BEK-FL400/400-R50-G5T-IBS

## Backlight



<b>TECHNICAL INFORMATION (typ.)</b>	<b>+20°C, 24V DC</b>
Screw-in depth	max. 6,5 mm
Tightening torque	max. 4 Nm