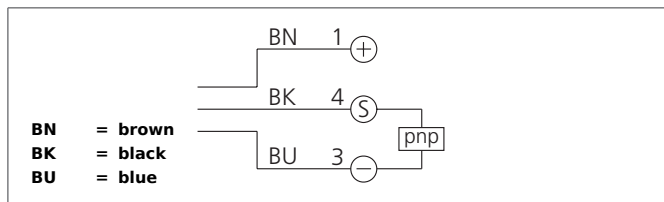
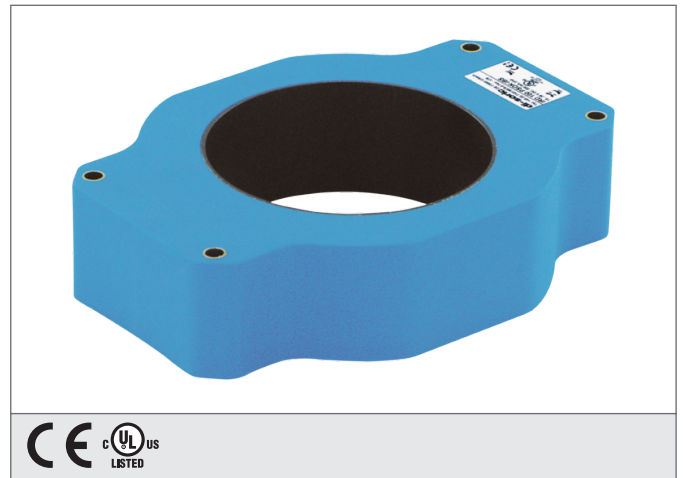
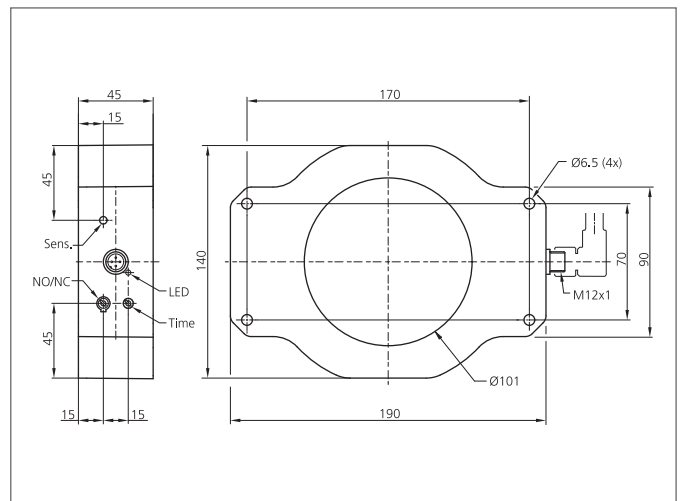


- 高分辨率
- 响应时间短
- 灵敏度和脉冲延展可调节
- 对尘土不敏感
- 外形紧凑
- 金属插头
- 高防护等级



Safety instructions

The Instruments are not to be used for safety applications, in particular applications in which safety of persons depends on proper operation of the instruments. These instruments shall exclusively be used by qualified personnel.



| TECHNICAL INFORMATION (typ.) | | +20°C, 24V DC |
|------------------------------|--|---------------------------------|
| 操作原理 | | 动态 |
| 环形尺寸 | | 101 mm |
| 工作电压 | | 10 ... 35 V DC (Supply Class 2) |
| 内部功耗 | | < 20 mA |
| 分辨率 | | 5,0 mm |
| 灵敏度调节 | | 电位计 |
| 安装在金属上的距离 | | > 30 mm |
| 开关输出 | | pnp, 200 mA, NO/NC, 可切换 |
| 负载振荡 | | 10 ... 55 Hz / 1,0 mm / 30 g |
| 被检产品速度 | | < 25 m/s |
| 最小被检产品速度 | | 0,1 m/s |
| 脉冲延展 | | 0,1 ... 150 ms 可调节 |
| 压降 | | < 2,0 V |
| 反应时间/释放时间 | | 0,20 ms / 0,20 ms |
| 环境温度 | | -25 +70 ° C |
| 绝缘电压 | | 1.000 V |
| 防护等级 | | IP 67 |
| 防护等级 | | III,在保护性低电压下工作 |
| 外壳材料 | | polyamide / ring POM |
| 连接 | | Connector, M12, 4-poled |
| Connecting cable | | VK ... |