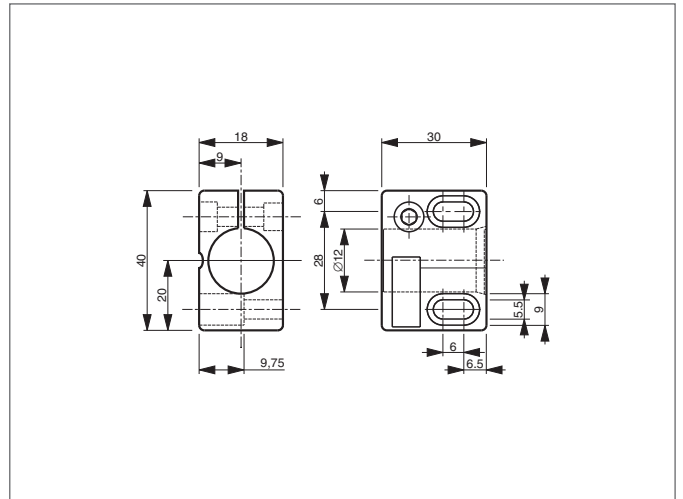


# SH 12 A Sensor Holder

- For cylindrical Sensors of  $\text{Ø } 12 \text{ mm}$  or thread M12
- Simple installation
- Reduced mounting/downtimes thanks to one-piece construction
- Sensor exchange without changing the clamp position
- Limit stop for sensor exchange without readjustment
- Oblong holes permit clamp adjustment



## TECHNICAL INFORMATION (typ.)

**+20°C, 24V DC**

Hole spacing	28 mm
Characteristics	with limit stop
Casing material	plastics (polyamide - PA 6 GK)