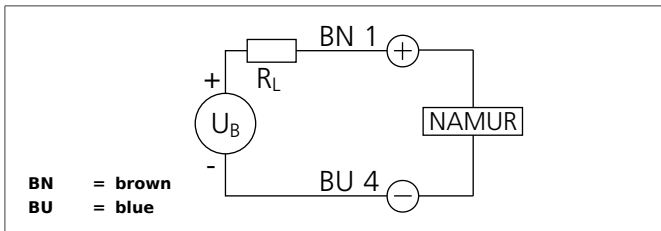
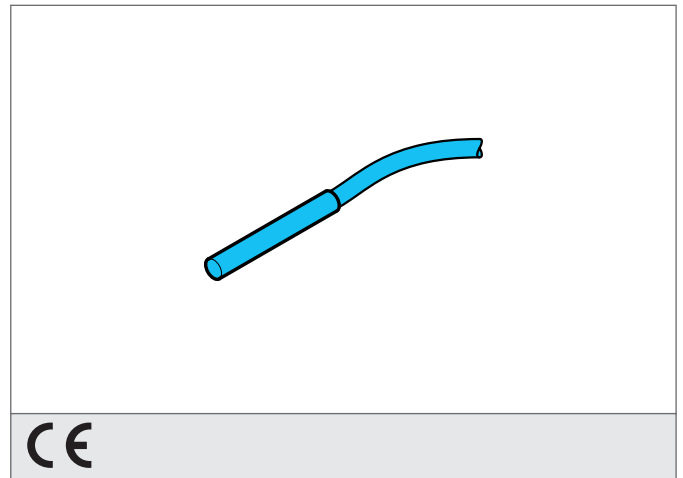
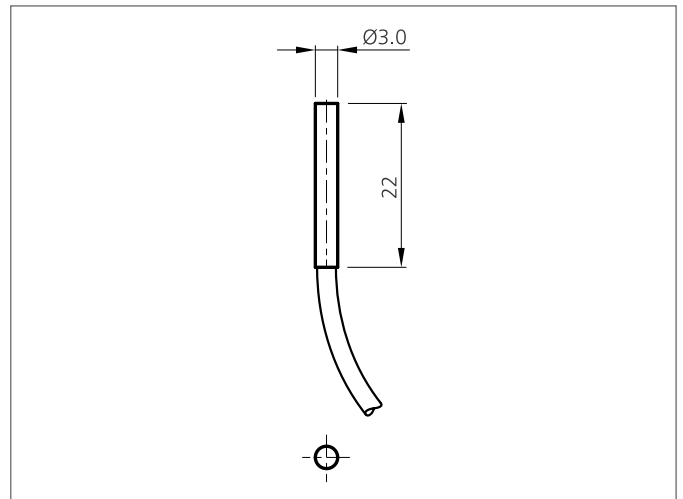


- 线缆，高弹力可弯折
- 集成的放大器
- 防止短路
- 启动脉冲抑制
- LED



Safety instructions

The Instruments are not to be used for safety applications, in particular applications in which safety of persons depends on proper operation of the instruments. These instruments shall exclusively be used by qualified personnel.



TECHNICAL INFORMATION (typ.)		+20°C, 24V DC
操作原理		电感式
评估		数字的
设计		圆柱形
安装		齐平
工作距离		0.6 mm
工作电压		7,7 ... 9 V DC
开关输出		Namur标准, < 1 mA / > 2,2 mA
负载振荡		10 ... 55 Hz / 1,0 mm / 30 g
工作频率		10000 Hz
环境温度		-25 +70 °C
绝缘电压		500 V
防护等级		IP 67
外壳材料		stainless steel
连接		Connector, M12