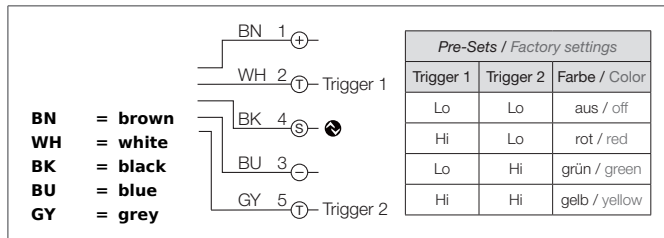


SB-RGB-701-K-B5

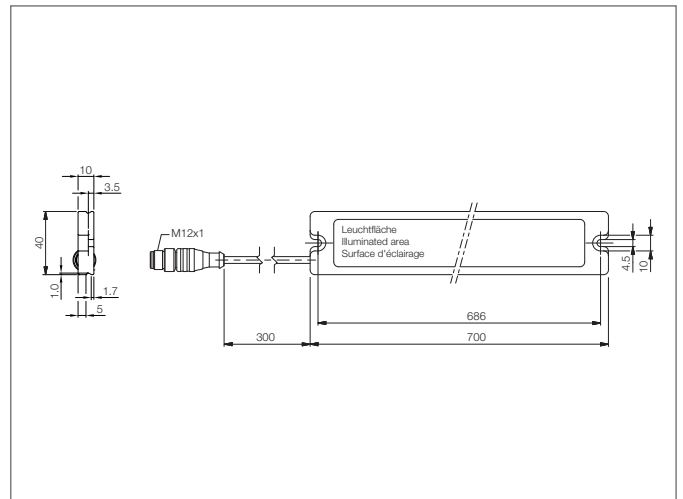
Signal Light

- High light intensity thanks to most modern, highly efficient LEDs
- Easy operation even without IO-Link possible
- Per IO-Link free parameterizable functions
- 由于有智能的热管理，产品使用寿命很长
- Large light field for an optimal display of the machine status
- Can be used immediately by 3 color pre-sets: red - green - yellow
- 高防护等级，IP67
- 磁块可选
- Adjustable Mounting Bracket available as an option
- Attachable Diffusion filter available as an option



Safety instructions

The Instruments are not to be used for safety applications, in particular applications in which safety of persons depends on proper operation of the instruments.
 These instruments shall exclusively be used by qualified personnel.



TECHNICAL INFORMATION (typ.)		+20°C, 24V DC
Operating modes		constant, blink, flash
照明区域		30 x 660 mm
光的颜色		RGB + custom
发射角度		120 °
工作电压		24 V DC ± 5%, (Supply Class 2)
内部功耗		565 mA RMS / 1.100 mA Peak, (24 V DC)
输入低电平触发		< 5,0 V
输入高电平触发		> 8,0 V
触发输入		3 color pre-sets: selectable by Trigger 1 + 2
接口		IO-Link, V1.1, COM2 (38,4kBd), 2300 μs, for parameterization
功率		13,5 W (24 V DC)
极性接反保护		是
环境温度		0 +40 °C
防护等级		IP 67
防护等级		III,在保护性低电压下工作
危险类 (DIN EN62471标准)		Free group
外壳材料		Aluminium nature anodized
材料		PU, crystal clear (视窗)
连接		Cable, 0,3 m, with connector, M12, 5-poled
光强度可调		10 ... 100%, by IO-Link
重量		550 g
Connecting cable		VK ... /5
Cable length max.		7.5 m, (5 x 0.34 mm ² / 24.0 V DC)