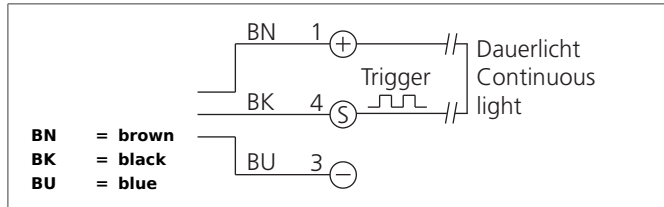
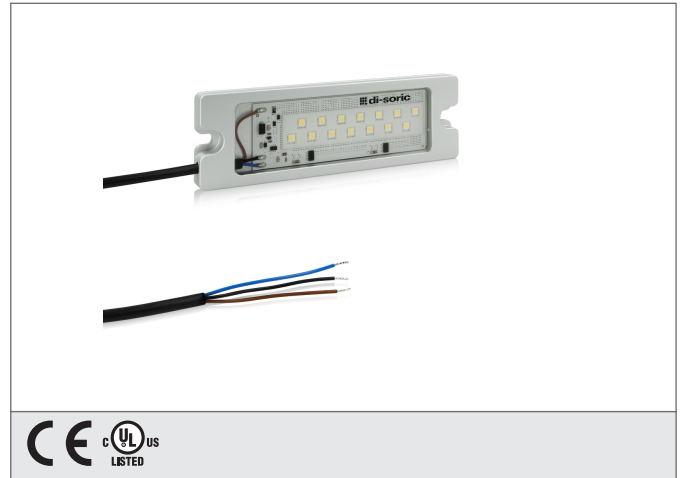


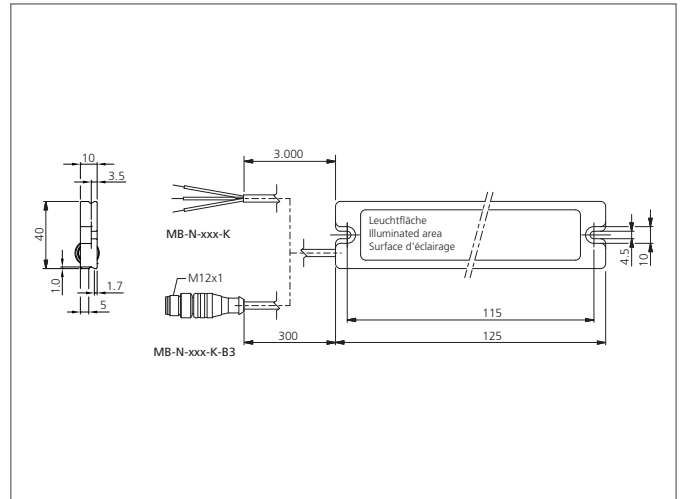
MB-N-126-K Machine illumination

- 采用最新的高功率LED灯，可达到很高的光密度
- High colour rendering guarantees safety at the workplace according to DIN EN 12464-1 / EN 12464-1
- 由于有智能的热管理，产品使用寿命很长
- 大型同质或者均匀照明可提供最佳的机器照明
- 高防护等级，IP67
- 外部控制的触发输入
- Dimmable via PWM signal
- 磁块可选
- Adjustable Mounting Bracket available as an option
- Attachable Diffusion filter available as an option



Safety instructions

The Instruments are not to be used for safety applications, in particular applications in which safety of persons depends on proper operation of the instruments. These instruments shall exclusively be used by qualified personnel.



TECHNICAL INFORMATION (typ.)	+20°C, 24V DC
照明区域	30 x 95 mm
光的颜色	White (5000 K), (LED)
发射角度	120 °
Luminous flux	440 lm
Color rendering index CRI	85
照明密度	720 Lux (0.5 m / 100%) 220 Lux (1.0 m / 100%)
工作电压	24 V DC ± 5%, (Supply Class 2)
内部功耗	190 mA, (24 V DC)
输入低电平触发	0 ... < 5,0 V
输入高电平触发	> 8,0 ... 25,2 V
功率	4,6 W (24 V DC)
极性接反保护	是
开启滞后时间 (触发)	0,050 ms
关闭滞后时间 (触发)	0,050 ms
环境温度	-20 +40 ° C
防护等级	IP 67
防护等级	III,在保护性低电压下工作
危险类 (DIN EN62471标准)	Free group
外壳材料	Aluminium nature anodized
材料	PU, crystal clear (视窗)
连接	Cable, 3,0 m, flying leads, 3 x 0,34 mm
重量	175 g