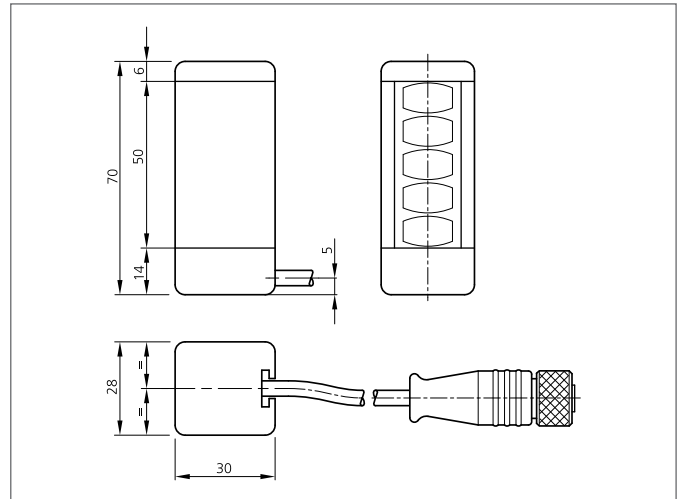
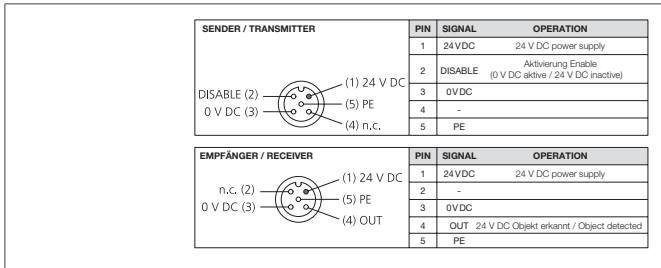
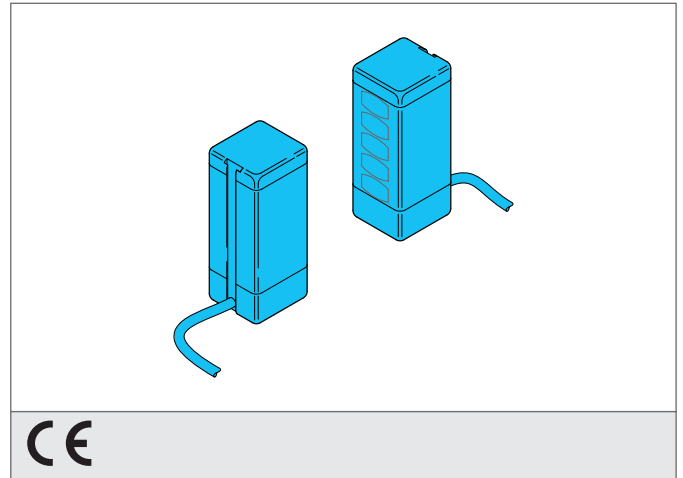


M5-B

Muting sensor

- Muting sensor for palletizers
- Detection of irregular loads and pallets
- 5 Beams
- Beam coding



Safety instructions

All the installation, connection and safety regulations, as per our technical information, have to be strictly adhered to.
 The set-up of the products have to be made by skilled staff, only.
 Repair exclusively made by di-soric.

TECHNICAL INFORMATION (typ.)	
安装	T-shaped slot (Backside)
操作原理	对射传感器
尺寸	70 x 28 x 30 mm (尺寸)
设计	方形设计
光束间隔	10 mm
光束数量	5
特征	Beam coding B
工作电压	19,2 ... 28,8 V DC
开关输出	pnp, 100 mA, NO
显示	LED灯显示输出状态
反应时间	100 ms
环境温度	-30 +55 ° C
防护等级	IP 65
连接	Cable, 0,9 m, with connector, M12, 5-poled