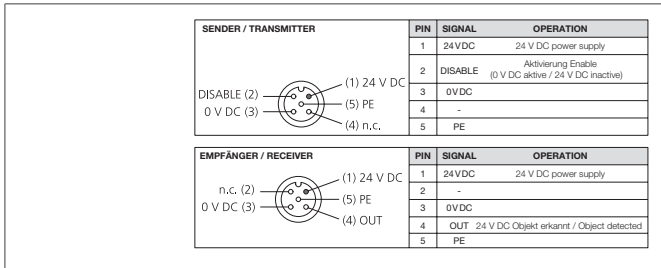
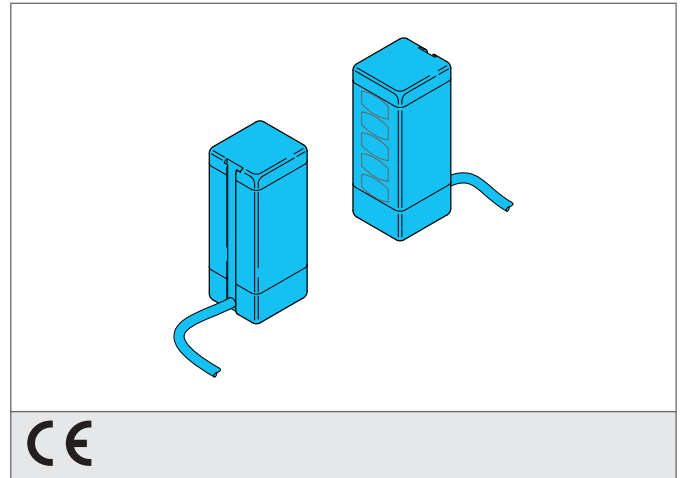


M5-A

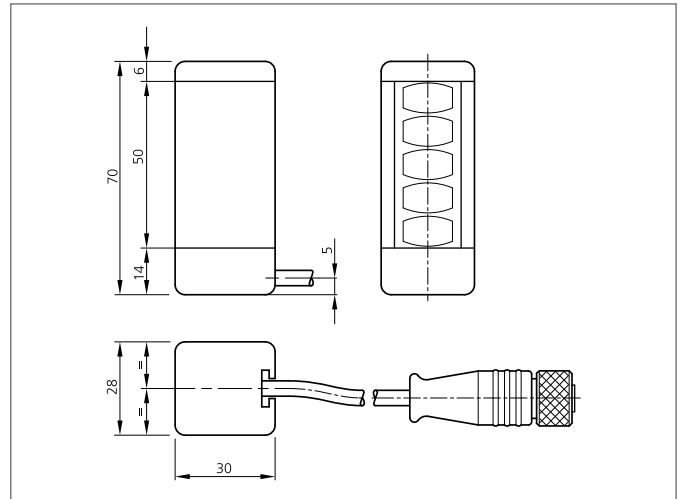
Muting sensor

- Muting sensor for palletizers
- Detection of irregular loads and pallets
- 5 Beams
- Beam coding



Safety instructions

All the installation, connection and safety regulations, as per our technical information, have to be strictly adhered to. The set-up of the products have to be made by skilled staff, only. Repair exclusively made by di-soric.



TECHNICAL INFORMATION (typ.)

| | |
|--------------------------------|--|
| Mounting | T-shaped slot (Backside) |
| Operating principle | Through beam sensor |
| Size | 70 x 28 x 30 mm (Dimensions) |
| Design | cuboid design |
| Light beam interspace | 10 mm |
| Number of beams | 5 |
| Characteristics | Beam coding A |
| Service voltage | 19,2 ... 28,8 V DC |
| Switching output | pnp, 100 mA, NO |
| Display | LED for output status |
| Reaction time | 100 ms |
| Ambient temperature, operation | -30 ... +55 °C |
| Protection class | IP 65 |
| Connection | Cable, 0,9 m, with connector, M12, 5-poled |