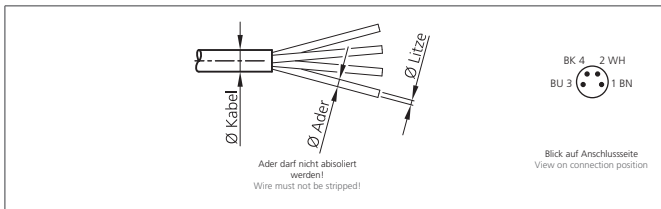
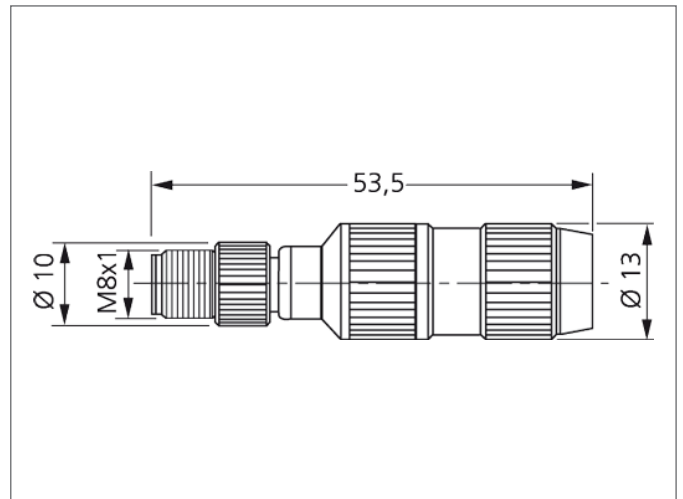


- 金属/塑料外壳
- 可旋金属螺丝
- 不许工具，快速安装
- 高防护等级，IP67



### Safety instructions

The Instruments are not to be used for safety applications, in particular applications in which safety of persons depends on proper operation of the instruments.  
These instruments shall exclusively be used by qualified personnel.



### TECHNICAL INFORMATION (typ.)

	+20°C, 24V DC
设计	直的
工作电压	32 V DC
环境温度	-25 +85 ° C
防护等级	IP 67
外壳材料	Metal/Plastic
Connection sensor side	Field-wireable, Insulation displacement connectors, 4-poled
Connection control side	Connector, M8x1, 4-poled
用于线缆直径	4,0 ... 5,1 mm
圆形管状	1,0 ... 1,6 mm, (Wire must not be stripped!)
辫状	0,25 ... 0,50 mm