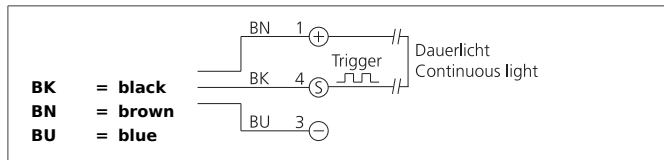
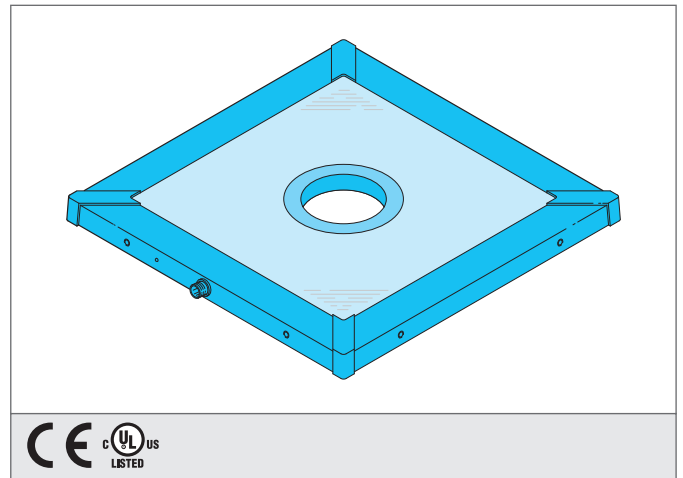


BEK-FL250/250-R50-G5T-IBS



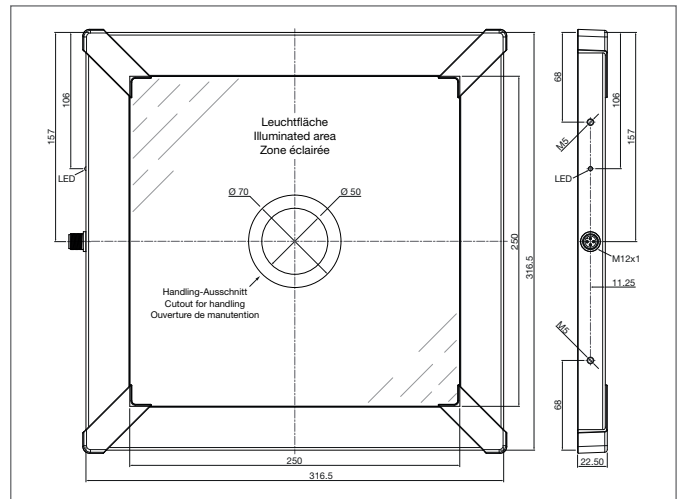
Backlight

- Extruded aluminium section bar
- Modular design for individual sizes
- Centrally located handling cutout
- Constant level of light intensity over the entire voltage range
- Homogenous luminous field
- External trigger input
- High efficiency



Safety instructions

The Instruments are not to be used for safety applications, in particular applications in which safety of persons depends on proper operation of the instruments.
 These instruments shall exclusively be used by qualified personnel.



TECHNICAL INFORMATION (typ.)	+20°C, 24V DC
Design	Backlight
Illuminated area	250 x 250 mm
Characteristics	Trigger input, robust design, individual sizes available, Cutout for handling, round, Ø 50 mm, centrally located
Light colour	White, 5700 K
Service voltage	24 V DC ± 5%, (Supply Class 2)
No-load current	800 mA, (24 V DC)
Trigger input low level	< 2,9 V
Trigger input high level	> 3,3 V
Power	19,0 W (24 V DC)
Inverse polarity protection	Yes
Display	LED: green - Operation
On-delay time (Trig.)	< 0,010 ms
Switch off delay (Trig.)	< 0,100 ms
Ambient temperature, operation	0 ... +40 °C
Protection class	IP 20
Protection degree	III, operation on protective low voltage
Risk group (DIN EN 62471)	Free group
Casing material	Aluminium black anodized
Material	PMMA (Protection optics)
Connection	Connector, M12, 3-poled
Weight	2800 g
Connecting cable	VK ...

BEK-FL250/250-R50-G5T-IBS

Backlight



TECHNICAL INFORMATION (typ.)	+20°C, 24V DC
Screw-in depth	max. 6,5 mm
Tightening torque	max. 4 Nm