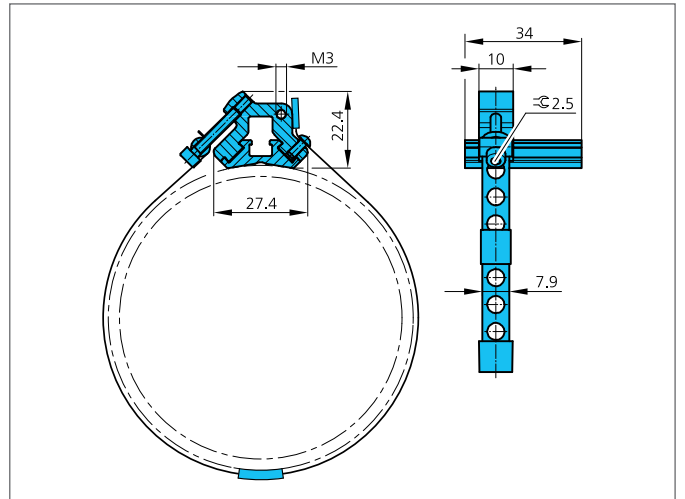
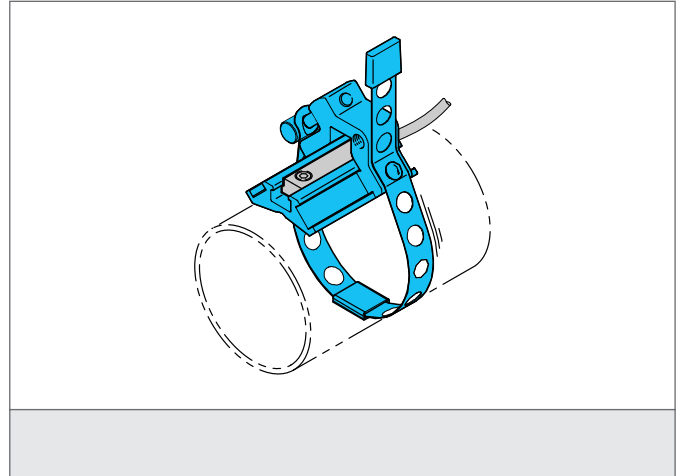


MZ-SB 100 Mounting kit

- Reliable mounting of cylinder sensors on cylinder cladding up to \varnothing 110 mm
- High locking power
- Robust metal casing
- For a quick and easy fix and mounting of sensors



TECHNICAL INFORMATION (typ.)

Suitable for	Cylinder sensors with T-Slot
Casing material	metal
Application	Cylinder cladding up to \varnothing 110 mm
Scope of delivery	Fixing material