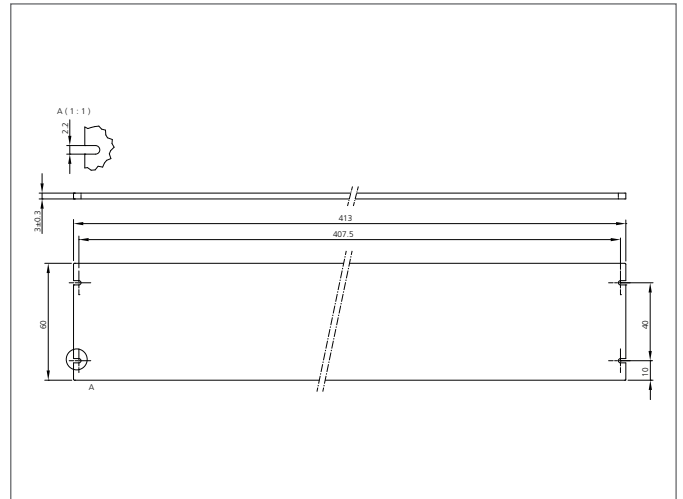
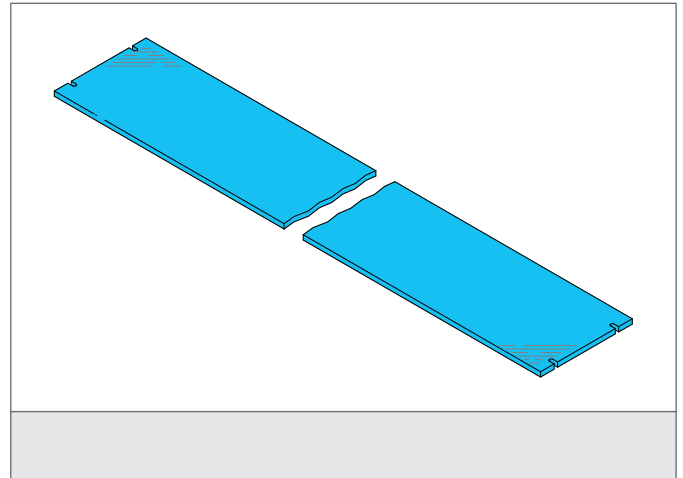


# BEK-A400-DIF

## Diffusor

- Diffusion filter
- Homogenous light reduction
- Quick and easy fix and mounting
- Scratch-proof protection window
- Mounting materials included in scope of delivery



TECHNICAL INFORMATION (typ.)		+20°C, 24V DC	
Characteristics		Mounting hardware included	
Suitable for		Bar lights BE-A400..., Bar lights BEK-A400...	
Material		PMMA, hardcoated (Window)	