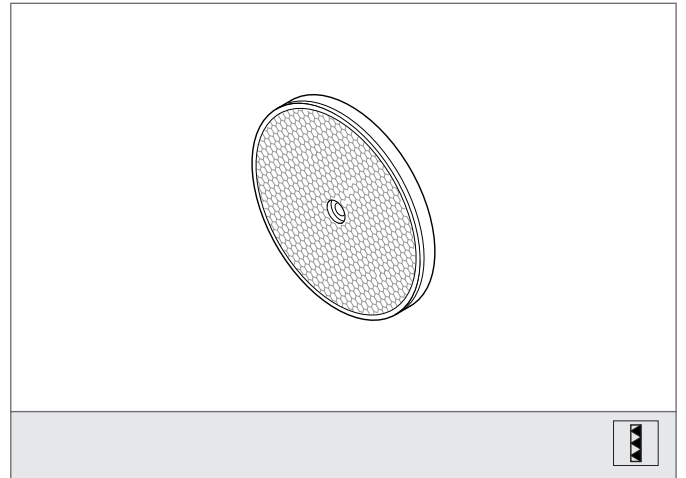


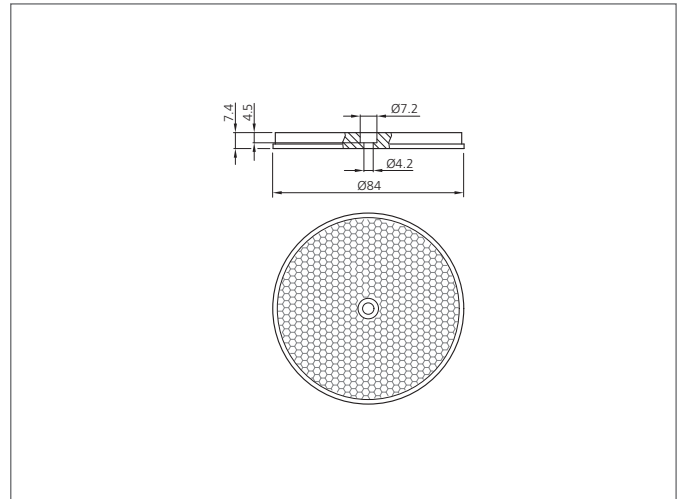
R 84 Reflector

- For infrared and red light
- Heat-resistant until 80 °C
- Hole Ø4.5 mm (1x)
- Suitable for polarized light



Safety instructions

The Instruments are not to be used for safety applications, in particular applications in which safety of persons depends on proper operation of the instruments.
These instruments shall exclusively be used by qualified personnel.



TECHNICAL INFORMATION (typ.)	+20°C, 24V DC
Mounting	hole
Size	Ø 84 mm (Diameter) 7,4 mm (Height)
Design	round
Emitted light	Infrared and red
Ambient temperature, operation	-20 ... +60 °C
Version	Reflector