

LVB-24VDC

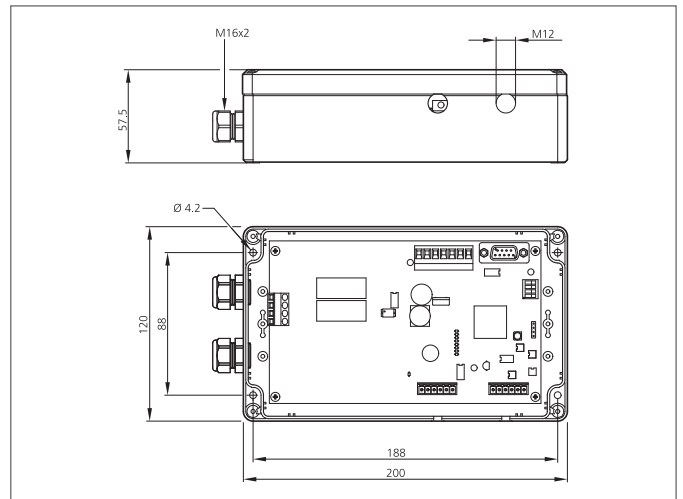
Evaluation Electronic

- Evaluation electronics for one light curtain LI ...
- Relative switching threshold, there are very reliable object detection
- Enhanced safety: Safe switch-off because of sticky contacts
- No fading out of errors
- Relay output
- Operating distance adjustable via self adjustment
- Diagnosis LEDs
- Interface: RS232



Safety instructions

The Instruments are not to be used for safety applications, in particular applications in which safety of persons depends on proper operation of the instruments.
These instruments shall exclusively be used by qualified personnel.



| TECHNICAL INFORMATION (typ.) | +20°C, 24V DC |
|--------------------------------|---|
| Number of beams | max. 500 evaluable |
| Number | 1 (number of light curtains to be operated) |
| Output function | Light-On |
| Service voltage | 19 ... 30 V DC |
| Operating distance | 0,4 ... 6 m self adjustment |
| Light beam evaluation | multiplexing |
| Cycle time per light beam | from 0,08 ms/beam (depending on operating distance and parametrisation) |
| Switching output | Switching output, Relay (1x) |
| Contact rating | 250 V DC, 250 W / 400 V AC, 2000 VA |
| Shock-/vibration load | 10 ... 55 Hz / 1,0 mm / 30 g |
| Display | LEDs for light curtain's status and error indicator |
| Switching frequency | 10 Hz |
| Ambient temperature, operation | 0 ... +40 °C |
| Protection class | IP 54 |
| EMC directives | EN 61000-6-3:2001 / EN 61000-6-1:2001 |
| Casing material | ABS grey |
| Connection | COMBICON, Socket, 1,8 m, 6-poled, coded |
| | |
| | |
| | |