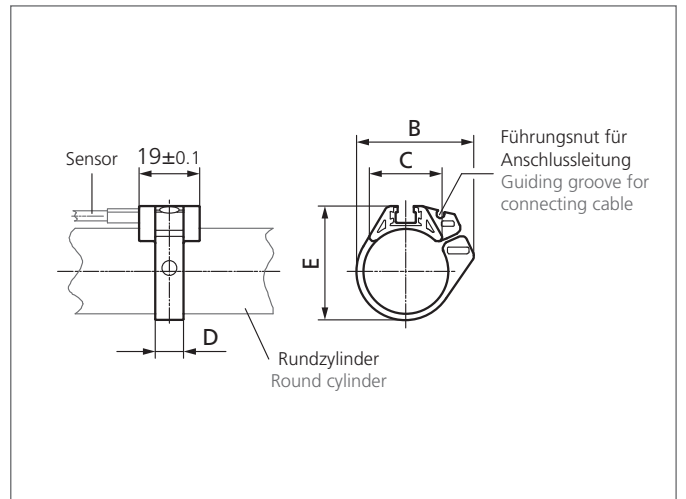
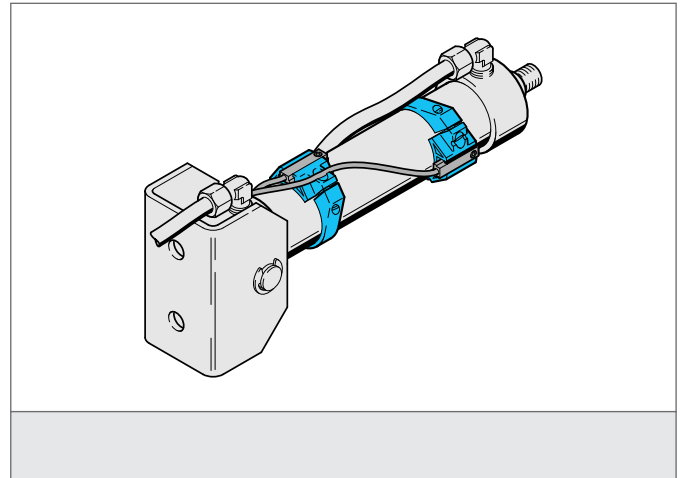


MZ-S-63/6.5 Sensor clamp

- Reliable mounting of cylinder sensors at round cylinders
- High locking power
- Robust casing
- For a quick and easy fix and mounting of sensors



TECHNICAL INFORMATION (typ.)

Size	69.4 mm (Spacer measure B) 32 mm (Spacer measure C) 9 mm (Spacer measure D) 74.5 mm (Spacer measure E)
Mounting	at round cylinders
Suitable for	Cylinder sensores with T-Slot
Casing material	Aluminium / ring POM, (polyacetal - POM)
Application	Cylinder Ø 63 mm
Scope of delivery	Fixing material