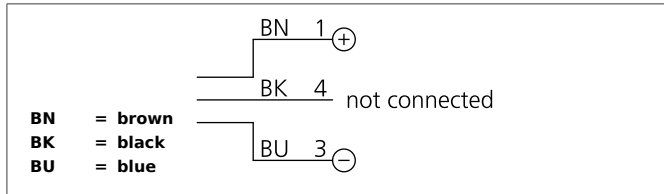
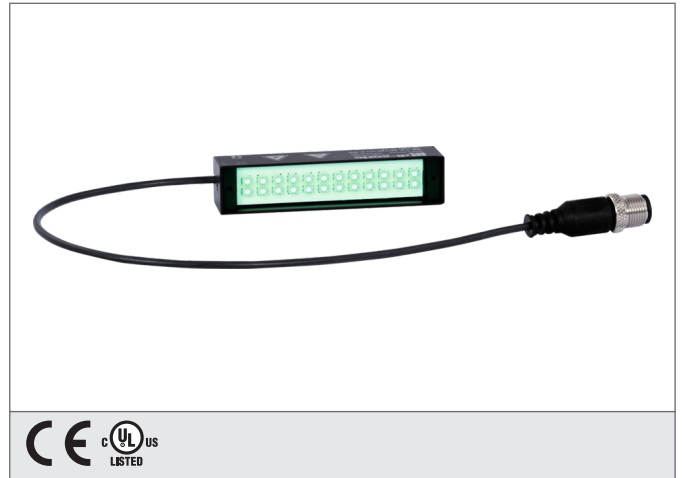
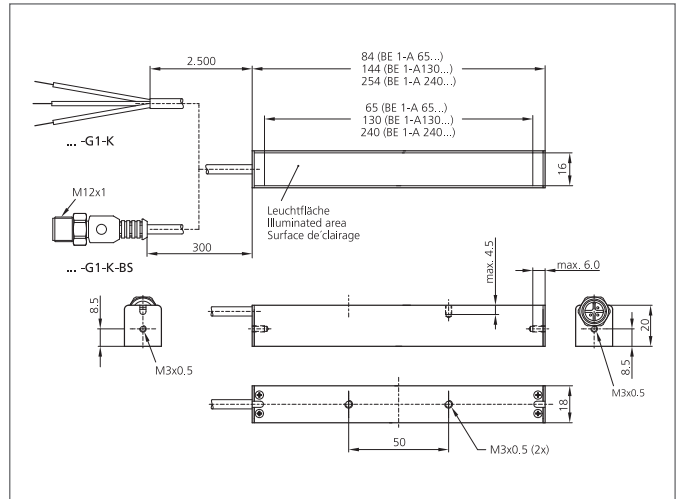


- 非常简约的设计
- 均匀的发光场
- 可使用前端出线或者后端出线
- 通用性安装
- 金属外壳
- 高效率
- 结实的金属外壳



Safety instructions

The Instruments are not to be used for safety applications, in particular applications in which safety of persons depends on proper operation of the instruments. These instruments shall exclusively be used by qualified personnel.



TECHNICAL INFORMATION (typ.)		+20°C, 24V DC
设计		条形光源
照明区域		65 mm
光的颜色		Green, 525 nm
发射角度		120 °
照明密度		2.5 klx (0.1 m), 630 Lux (0.2 m), 120 Lux (0.5 m)
工作电压		24 V DC (Supply Class 2)
内部功耗		80 mA
功率		2,0 W (24 V DC)
负载振荡		10 ... 55 Hz / 1,0 mm / 30 g
极性接反保护		是
环境温度		0 +40 °C
防护等级		IP 20
危险类 (DIN EN62471标准)		Free group
外壳材料		Aluminium anodized
连接		M12
Connecting cable		VK ...