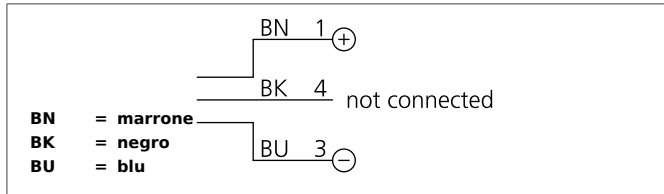
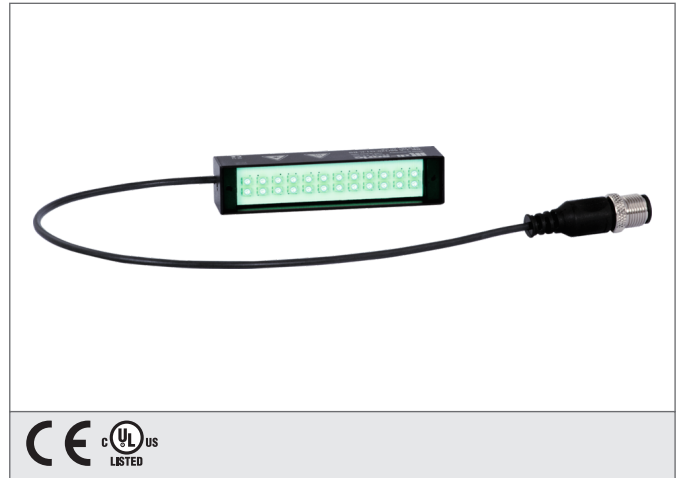


# BE 1-A65/120-G2-K-BS

## Barlight

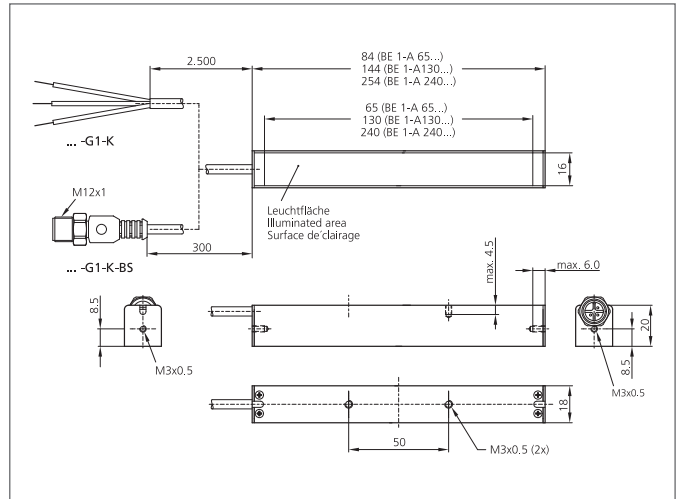
- Very compact design
- Homogenous luminous field
- Cable outlet at the front or back side usable
- Universal mounting possibility
- Metal casing
- High efficiency
- Robust metal casing



### Safety instructions

The Instruments are not to be used for safety applications, in particular applications in which safety of persons depends on proper operation of the instruments.

These instruments shall exclusively be used by qualified personnel.



TECHNICAL INFORMATION (typ.)	+20°C, 24V DC
Design	Barlight
Illuminated area	65 mm
Light colour	Green, 525 nm
Emission angle FWHM	120°
Illumination intensity	2.5 klx (0.1 m), 630 Lux (0.2 m), 120 Lux (0.5 m)
Service voltage	24 V DC (Supply Class 2)
No-load current	80 mA
Power	2,0 W (24 V DC)
Shock-/vibration load	10 ... 55 Hz / 1,0 mm / 30 g
Inverse polarity protection	Yes
Ambient temperature, operation	0 ... +40 °C
Protection class	IP 20
Risk group (DIN EN 62471)	Free group
Casing material	Aluminium anodized
Connection	M12
Connecting cable	VK ...