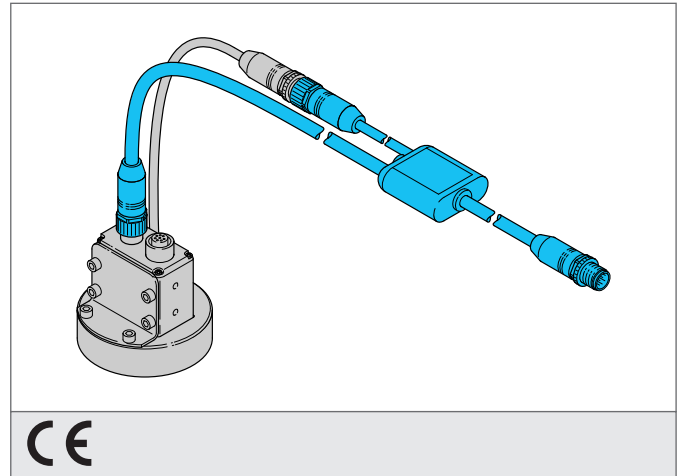


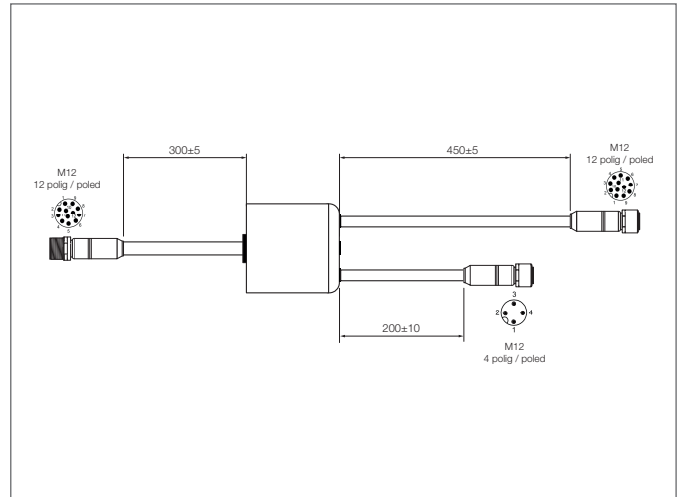
CS-Y-0.3/12-A Y-Verteilerkabel

- PU涂层耐用
- 可弯曲的头部设计
- 高防护等级，IP67
- 金属插头



Safety instructions

The Instruments are not to be used for safety applications, in particular applications in which safety of persons depends on proper operation of the instruments.
These instruments shall exclusively be used by qualified personnel.



TECHNICAL INFORMATION (typ.)		+20°C, 24V DC
工作电压		< 30 V DC
环境温度		-20 +85 ° C
防护等级		IP 67
外壳材料		plastics
材料		PUR (电缆)
连接		Connector, M12, 12-poled
Connection 2		Socket, M12, 4-poled, 12-poled
Note		IN & OUT remains on PNP (CS50)
Operating current		< 1,5 A DC
External lighting trigger (pnp)		Either OUT 3 (CS 50 ...) or PIN 6 (connector M 12)