

BE-A130-F1-K

Barlight

- High excess current factor
- Flash mode operation for „frozen images“ and inspection of fast moving objects at extremely high light intensity
- Extremely powerful light for high depth of field
- Long-life thanks to intelligent thermal management
- Homogenous luminous field
- High protection class
- Robust metal casing
- Universal mounting possibility
- Scratch-proof protection window
- Mounts und Optics available as an option
- Compact design and low weight

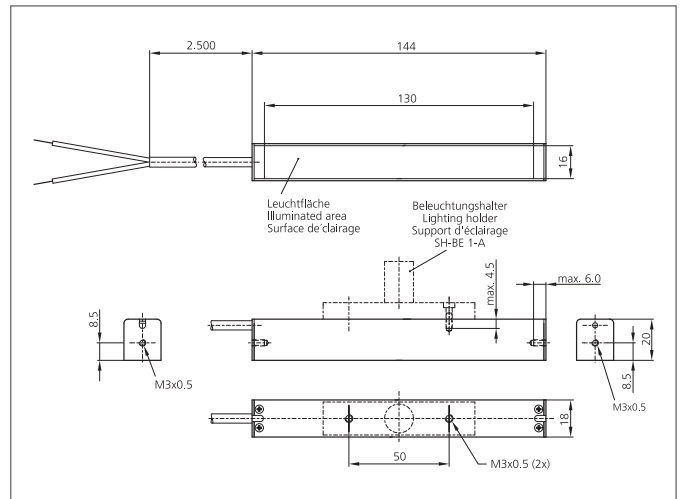


BN = marrone
BU = blu

Betrieb ausschließlich mit Flash-Controller an einem *Supply Class 2* - Netzteil!
Use only with flash equipment driven by a power supply *Class 2*!
A utiliser exclusivement avec un contrôleur d'impulsion connecté à une alimentation *Class 2*!

Safety instructions

The Instruments are not to be used for safety applications, in particular applications in which safety of persons depends on proper operation of the instruments.
These instruments shall exclusively be used by qualified personnel.



TECHNICAL INFORMATION (typ.)	+20°C, 24V DC
Pulse power consumption (max)	31,0 W
Pulse overload factor	8
Pulse current capacity	1350 mA
Design	Barlight
Illuminated area	130 mm
Characteristics	Flashable by means of flash controller
Light colour	Red, 625 nm
Emission angle FWHM	120°
Illumination intensity	2.5 klx (0.1 m / 100%) 8.0 klx (0.1 m / 400%) 13.0 klx (0.1 m / 800%) 800 Lux (0.2 m / 100%) 2.5 klx (0.2 m / 400%) 5.5 klx (0.2 m / 800%)
Service voltage	No constant voltage!
Shock-/vibration load	10 ... 55 Hz / 1,0 mm / 30 g
Ambient temperature, operation	0 ... +40 °C
Insulation voltage endurance	500 V
Protection class	IP 20
Risk group (DIN EN 62471)	Free group
Casing material	Aluminium black anodized
Material	PUR (Cable)
Connection	Cable, 2,5 m, flying leads, Use only with flash equipment!
Weight	70 g