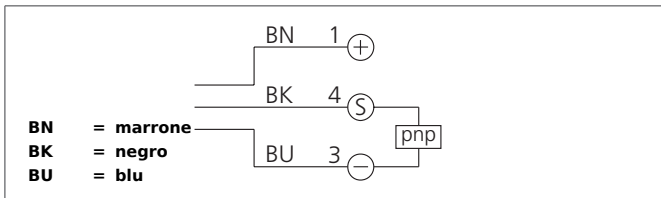


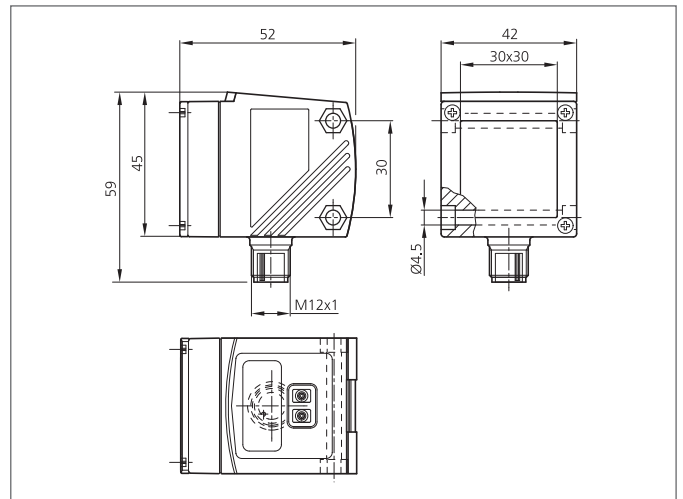
LHT 9-45 M 10 P3-B4 Laser Distance Sensor

- High operating distance up to 10 m
- Red light laser for simple alignment
- Four-digit display parameterizable
- Very good colour and surface independence
- Robust metal casing
- High protection class



Safety instructions

Inproper use may result in hazardous radiation exposure. Pay attention to accident prevention rules and laser class. The instruments are not to be used for safety applications, in particular applications in which safety of persons depends on proper operation of the instruments. These instruments shall exclusively be used by qualified personnel.



TECHNICAL INFORMATION (typ.)		+20°C, 24V DC
Emitted light		Red light laser, 650 nm, clocked
Laser class		2 (IEC 60825-1)
Service voltage		10 ... 30 V DC
No-load current		< 150 mA
Light spot size		Ø 6 mm
Detection range		200 ... 10.000 mm
Switching output		pnp, 200 mA, NO/NC, switchable
Shock-/vibration load		10 ... 55 Hz / 1,0 mm / 30 g
Switching frequency		5 Hz
Ambient temperature, operation		-10 ... +60 °C
Ambient light immunity		100 kLx
Protection class		IP 67
Protection degree		III, operation on protective low voltage
Casing material		Die-cast zinc black lacquered finish
Material		glass (Window)
Connection		Connector, M12, 5-poled
Connecting cable		VK ...