




LAT 61 K 120/120 IUPN

Laser distance sensor

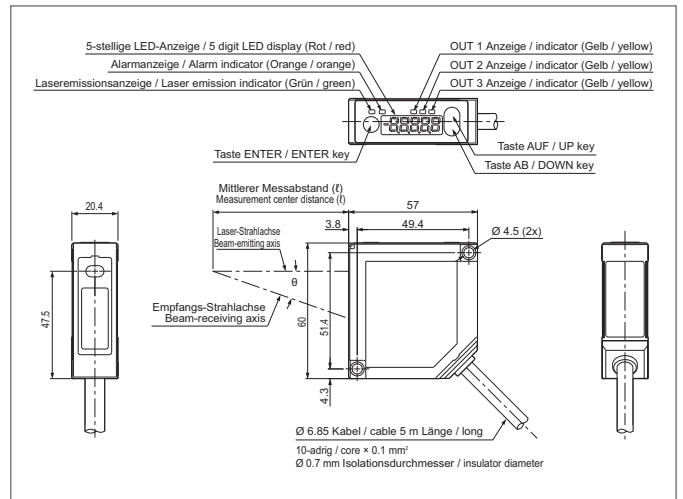
- Extremely high resolution
- Very small laser spot
- CMOS linear image sensor
- Integrated configuration display
- 2 analog and 3 digital outputs
- Timing- and multifunction input
- Light construction for mounting on moving parts
- High protection class



 ANSCHLUSSSCHEMA siehe DOKUMENTE → Beipackzettel S. 2
 CONNECTION DIAGRAM see DOCUMENTS → Instruction leaflet p. 2
 SCHÉMA DE CONNEXION voir DOCUMENTS → Notice d'utilisation p. 2

Safety instructions

Inproper use may result in hazardous radiation exposure. Pay attention to accident prevention rules and laser class. The instruments are not to be used for safety applications, in particular applications in which safety of persons depends on proper operation of the instruments. These instruments shall exclusively be used by qualified personnel.



| TECHNICAL INFORMATION (typ.) | | +20°C, 24V DC |
|---|--|--|
| Emitted light | | Red light laser, 665 nm |
| Laser class | | 2 (IEC 60825-1) |
| Service voltage | | 24 V DC ± 10% |
| No-load current | | < 100 mA |
| Light spot size | | 1,0 x 1,5 mm |
| Detection range | | 60 ... 180 mm |
| Resolution | | 8 µm |
| Measuring center distance / Measuring range | | 120 mm / ± 60 mm |
| Switching output | | pnp/npn (3x), 50 mA, NO/NC, configurable |
| Analog output | | 0 ... 10 V, 4 ... 20 mA, linearised |
| Shock-/vibration load | | 10 ... 55 Hz / 1,0 mm / 30 g |
| Display | | LED for output status, LED yellow (Display output) |
| Voltage drop | | < 2,8 V |
| Ambient temperature, operation | | -10 ... +45 °C |
| Vibration/Shock resistance | | 10 ... 500 Hz / 1,5 mm / 10 G |
| Ambient light immunity | | 3 kLx |
| Insulation voltage endurance | | 250 V |
| Protection class | | IP 67 |
| Protection degree | | III, operation on protective low voltage |
| Casing material | | plastics |
| Material | | Acrylic (Window) |
| Connection | | Cable, 5,0 m, 10-poled, shielded, flying leads |