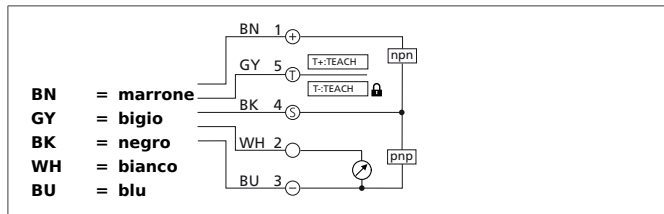


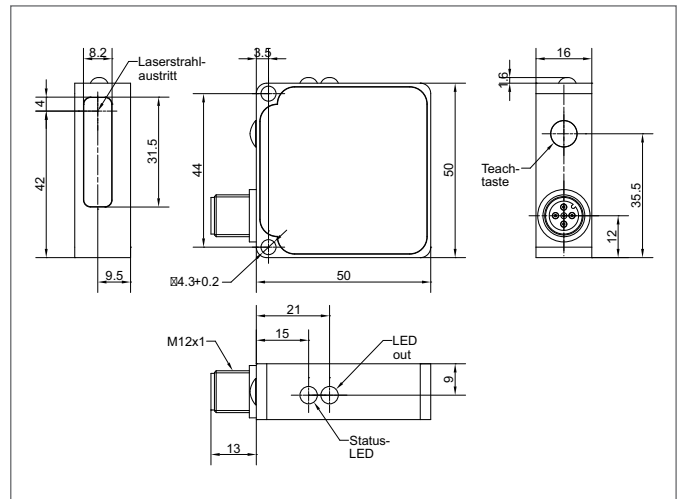
LAT 51 M 500 UG3-B5 Laser Distance Sensor

- Precisely linearized object detection
- Digital and analog output
- Remote teach function
- Key-lock function via remote teach
- Red light laser, with small laser spot
- Robust metal casing



Safety instructions

Inproper use may result in hazardous radiation exposure. Pay attention to accident prevention rules and laser class. The instruments are not to be used for safety applications, in particular applications in which safety of persons depends on proper operation of the instruments. These instruments shall exclusively be used by qualified personnel.



TECHNICAL INFORMATION (typ.)	+20°C, 24V DC
Emitted light	Red light laser, 650 nm
Laser class	1 (IEC 60825-1)
Service voltage	18 ... 30 V DC
No-load current	60 mA, (24 V DC)
Light spot size	Ø 2 mm
Detection range	50 ... 500 mm (90% reflectivity)
Resolution	0.05 ... 1.5 mm
Switching output	Push pull, 150 mA, NO/NC
Switching hysteresis	0,1 %
Analog output	0 ... 10 V
Admissible impedance	> 1k Ω
Measuring frequency	500 Hz
Shock-/vibration load	10 ... 55 Hz / 1,0 mm / 30 g
Display	LED: green - operation, yellow - output
Voltage drop	< 2,0 V
Linearity error	1%
Readiness delay	< 300 ms
Ambient temperature, operation	0 ... +50 °C
Ambient light immunity	5 kLx
Insulation voltage endurance	500 V
Protection class	IP 67
Protection degree	III, operation on protective low voltage
Casing material	Aluminium black anodized

LAT 51 M 500 UG3-B5

Laser Distance Sensor



TECHNICAL INFORMATION (typ.)

+20°C, 24V DC

Material	PMMA (Protection optics)
Connection	Connector, M12, 5-poled
Connecting cable	VK ... /5