

MZEC 3.7 PS-K-IBS Cylinder Sensor

- For pneumatic cylinders with round slot 3.7 mm
- Short design
- Stainless steel fastening part
- Cable, highly flexible
- All-electronically
- Molded electronic circuitry
- High reproducibility
- High protection class



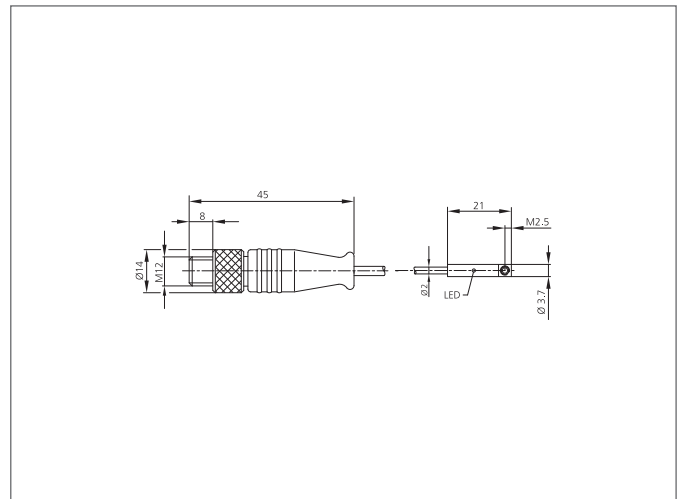
CE



Safety instructions

The Instruments are not to be used for safety applications, in particular applications in which safety of persons depends on proper operation of the instruments.

These instruments shall exclusively be used by qualified personnel.



TECHNICAL INFORMATION (typ.)		+20°C, 24V DC
Cylinder groove		C-groove 3.7 mm, mounting in longitudinal direction of slot
Mounting		Locking screw, allen screw 1,3 mm
Maximum rating		100 mA, not short-circuit-proof, polarity-safe
Service voltage		10 ... 30 V DC
No-load current		< 11 mA
Switching output		pnp, NO
Contact rating		3 W max. (30 V, 100 mA)
Display		LED: yellow - output signal
Voltage drop		< 2,0 V
Switching frequency		1000 Hz
Reproducibility		< 0,1 mm
Ambient temperature, operation		-20 ... +70 °C
Insulation voltage endurance		500 V
Protection class		IP 67
Protection degree		III, operation on protective low voltage
Casing material		stainless steel, plastics V2A (1.4301 / AISI 304)
Material		TPU (Cable)
Connection		Cable, Connector, 0,3 m, M12