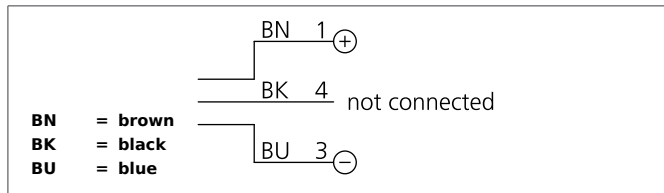


# BE 1-A240-G3-K-BS

## Barlight

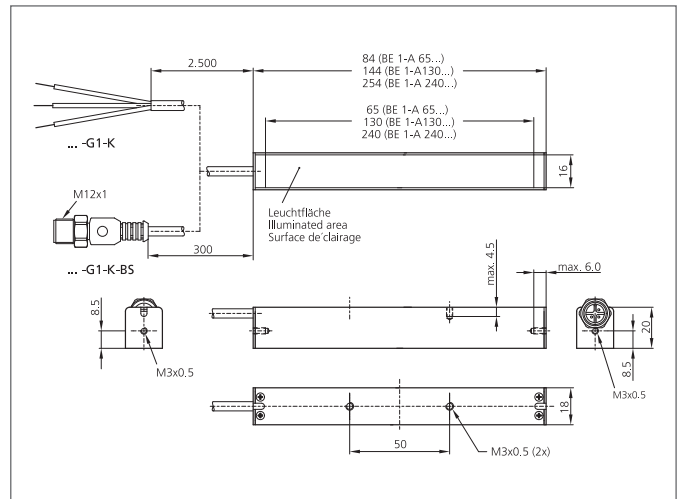
- Very compact design
- Homogenous luminous field
- Cable outlet at the front or back side usable
- Universal mounting possibility
- Metal casing
- Homogenous illumination
- High efficiency
- Robust metal casing



### Safety instructions

The Instruments are not to be used for safety applications, in particular applications in which safety of persons depends on proper operation of the instruments.

These instruments shall exclusively be used by qualified personnel.



| TECHNICAL INFORMATION (typ.)   | +20°C, 24V DC                                     |
|--------------------------------|---|
| Design                         | Barlight  |
| Illuminated area               | 240 mm  |
| Light colour                   | Blue, 465 nm                                      |
| Emission angle FWHM            | 30°   |
| Illumination intensity         | 5.5 klx (0.1 m), 2.8 klx (0.2 m), 8.0 klx (0.5 m) |
| Service voltage                | 24 V DC (Supply Class 2)                          |
| No-load current                | 310 mA, (24 V DC)                                 |
| Power                          | 7,3 W (24 V DC)                                   |
| Shock-/vibration load          | 10 ... 55 Hz / 1,0 mm / 30 g                      |
| Ambient temperature, operation | 0 ... +40 °C                                      |
| Protection class               | IP 20   |
| Protection degree              | III, operation on protective low voltage          |
| Risk group (DIN EN 62471)      | Risk group 1                                      |
| Casing material                | Aluminium anodized                                |
| Material                       | PUR (Cable)                                       |
| Connection                     | Cable, 0,3 m, M12                                 |
| Connecting cable               | VK ...  |