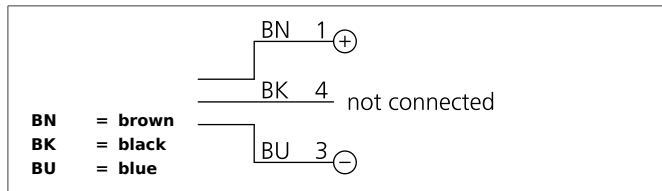


BE 1-A130/120-G1-K-BS

Barlight

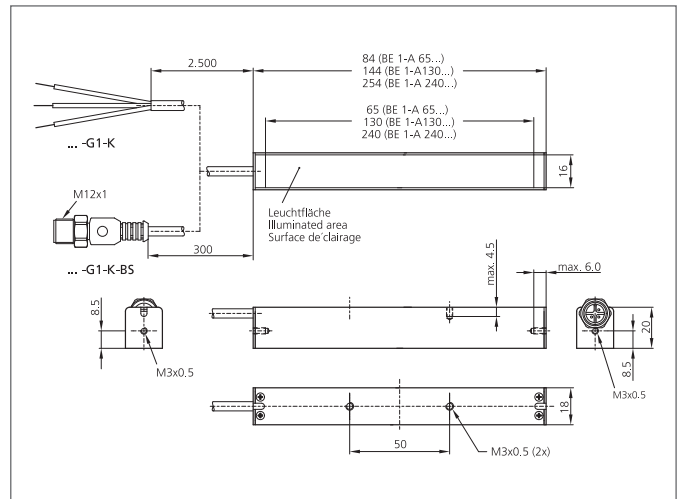
- Very compact design
- Homogenous luminous field
- Cable outlet at the front or back side usable
- Universal mounting possibility
- Metal casing
- Homogenous illumination
- High efficiency
- Robust metal casing



Safety instructions

The Instruments are not to be used for safety applications, in particular applications in which safety of persons depends on proper operation of the instruments.

These instruments shall exclusively be used by qualified personnel.



| TECHNICAL INFORMATION (typ.) | +20°C, 24V DC |
|--------------------------------|---|
| Design | Barlight |
| Illuminated area | 130 mm |
| Light colour | Red, 625 nm |
| Emission angle FWHM | 120° |
| Illumination intensity | 1.8 klx (0.1 m), 540 Lux (0.2 m), 120 Lux (0.5 m) |
| Service voltage | 24 V DC (Supply Class 2) |
| No-load current | 160 mA, (24 V DC) |
| Power | 3,8 W (24 V DC) |
| Shock-/vibration load | 10 ... 55 Hz / 1,0 mm / 30 g |
| Display | No |
| Ambient temperature, operation | 0 ... +40 °C (permanent operation) |
| Protection class | IP 20 |
| Protection degree | III, operation on protective low voltage |
| Risk group (DIN EN 62471) | Free group |
| Casing material | Aluminium anodized |
| Material | PUR (Cable) |
| Connection | Cable, 0,3 m, M12 |
| Connecting cable | VK ... |