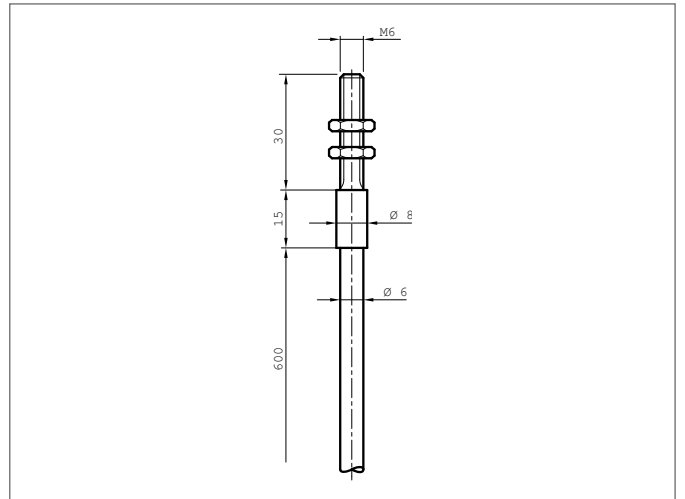
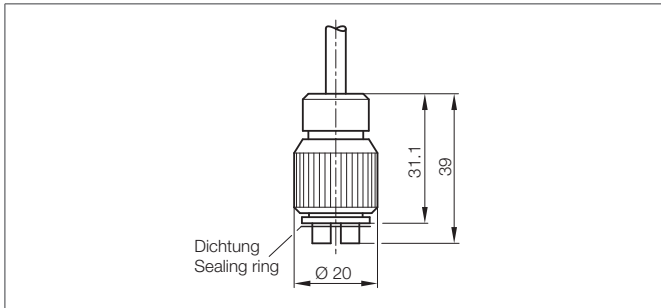
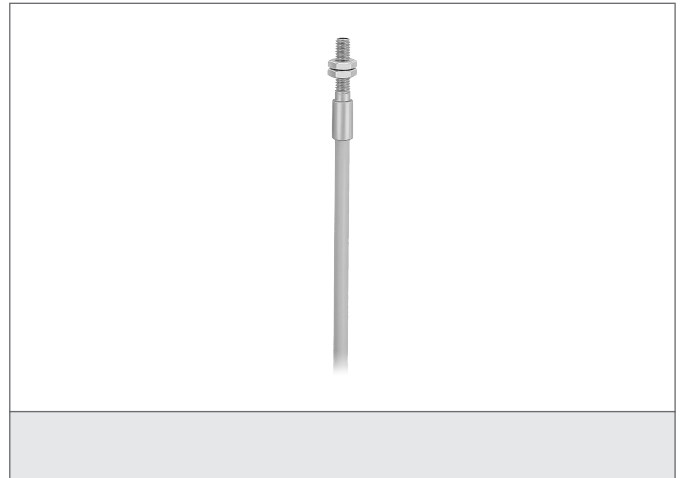


WRB 120 P-SG-M6x30-2.5

Glass fiber optic

- High-quality glass fibres
- Resistant to high temperature
- Robust, highly flexible



Safety instructions

The Instruments are not to be used for safety applications, in particular applications in which safety of persons depends on proper operation of the instruments.

These instruments shall exclusively be used by qualified personnel.

TECHNICAL INFORMATION (typ.)		+20°C, 24V DC
Operating principle		Diffuse reflective sensor
Design		cylinder
Length		600 mm
Dimension fiber bundles		Ø 2,5 mm
Opening angle		68°
Light outlet		axial
Bending radius		> 10 x tube-Ø
Temperature resistance		+ 80 °C
Protection class		IP 67
Suitable for		FSB 10 M G1-B8
Material		Stainless steel (Sensor probe) glass fiber (Fiber) PVC (Cladding)