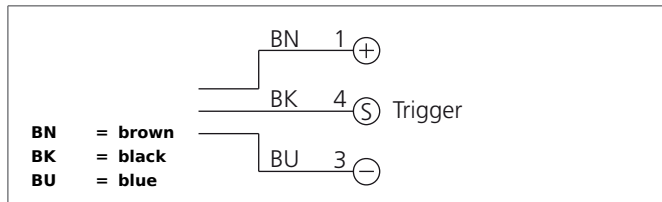
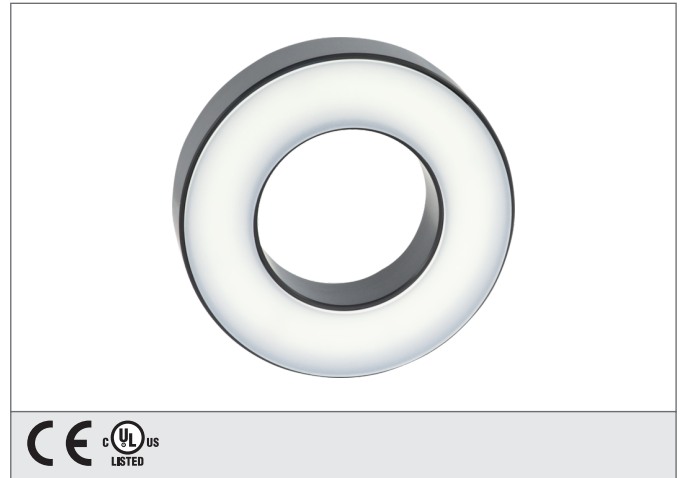


# BEK-R70/30-G0TI-IBS-CLR

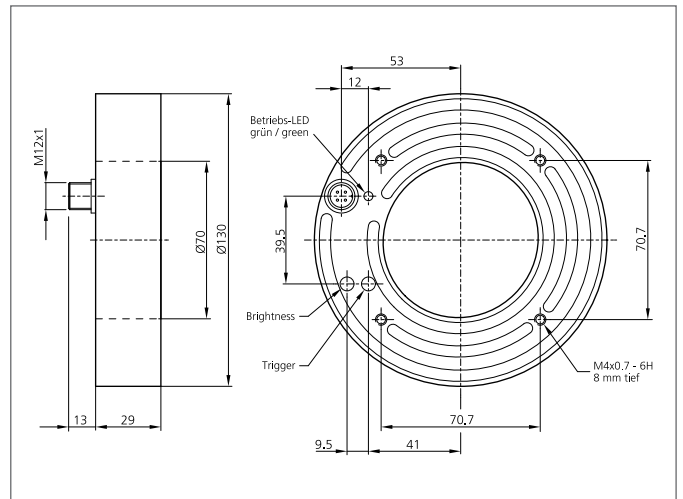
## Ringlight

- Constant level of light intensity over the entire voltage range
- Internal control of power output
- Homogenous illumination
- High protection class IP 67
- External trigger input
- High efficiency
- Light intensity can be adjusted
- Low levels of heat produced
- Sturdy housing design
- Metal casing



### Safety instructions

The Instruments are not to be used for safety applications, in particular applications in which safety of persons depends on proper operation of the instruments. These instruments shall exclusively be used by qualified personnel.



| TECHNICAL INFORMATION (typ.)   | +20°C, 24V DC   |
|--------------------------------|---|
| Size                           | Ø 130 mm (Diameter)   |
| Design                         | Ringlight   |
| Characteristics                | Internal control of power output  |
| Light colour                   | Infrared, clear, 850 nm   |
| Emission angle FWHM            | 30°   |
| Illumination intensity         | 5200 µW/cm <sup>2</sup> (0.1 m), 4900 µW/cm <sup>2</sup> (0.2 m), 1700 µW/cm <sup>2</sup> (0.5 m) |
| Service voltage                | 18 ... 35 V DC (Supply Class 2)   |
| No-load current                | 370 mA, (24 V DC)   |
| Trigger input low level        | 0 ... < 2,8 V   |
| Trigger input high level       | > 3,3 ... 35 V  |
| Power                          | 8,9 W (24 V DC)   |
| Shock-/vibration load          | 10 ... 55 Hz / 1,0 mm / 30 g  |
| Inverse polarity protection    | Yes   |
| Display                        | LED: green - Operation  |
| Ambient temperature, operation | 0 ... +40 °C  |
| Insulation voltage endurance   | 500 V   |
| Protection class               | IP 67   |
| Protection degree              | III, operation on protective low voltage  |
| Risk group (DIN EN 62471)      | Free group  |
| Casing material                | Aluminium anodized  |
| Material                       | PMMA, clear (Protection optics)   |
| Connection                     | Connector, M12, 3-poled   |

**BEK-R70/30-G0TI-IBS-CLR**  
**Ringlight**



**TECHNICAL INFORMATION (typ.)**

Connecting cable

**+20°C, 24V DC**

VK ...