

SBE-RGB-2000-K-B4

Insertable Status light

- Robust aluminum casing
- Walkable, fully sealed light with front window
- For industry use
- High protection class IP 68
- No paint distorting components
- Triggered switching of colours Red/Green/Blue/Yellow
- Brightness adjustment with SBI-RGB controller



ANSCHLUSSSCHEMA siehe
DOKUMENTE → Beipackzettel S. 2



CONNECTION DIAGRAM see
DOCUMENTS → Instruction leaflet p. 2

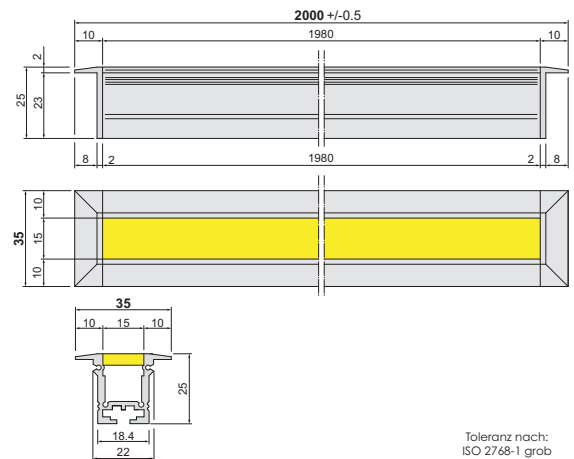


SCHÉMA DE CONNEXION voir
DOCUMENTS → Notice d'utilisation p. 2

Safety instructions

The Instruments are not to be used for safety applications, in particular applications in which safety of persons depends on proper operation of the instruments.

These instruments shall exclusively be used by qualified personnel.



TECHNICAL INFORMATION (typ.)	+20°C
Tamaño	35 x 25 x 2000 mm (dimensiones de la carcasa)
Diseño	Insertable Status light
Área iluminada	1.900 mm
Color de la luz	Rojo, Verde, Azul, Yellow, 620 / 523 / 465 / 580 nm
Tensión de alimentación	24 V DC ± 5%
Potencia	4,8 W
Consumo de corriente	ca. 200 mA / m /light color
Temperatura ambiente, operación	-20 ... +40 °C
Técnica de protección	IP 68
Grado de protección	III, funcionamiento en bajo voltaje
Grupo de riesgo (DIN EN 62471)	Grupo libre
material de la carcasa	Aluminio nature anodizado
Material	PMMA walkable (Ventana)
Conexión	Cable, 0,3 m, with connector, M12, 4-polos
Peso	1540 g
Referencia	Fixing of the T-profile with standard holding brackets
Crush-resistance	100 kg/cm ² , (typical crush-resistance, which can lead to a deformation of the lights and which can may deviate depending on the form, material or surface finish of the load)
Norm	DIN EN 60598-1 2015 General requirements on lights, DIN EN 62471 2009 photobiological security