

SBE-RGB-2000-K-B4

Insertable Status light

- Robust aluminum casing
- Walkable, fully sealed light with front window
- For industry use
- High protection class IP 68
- No paint distorting components
- Triggered switching of colours Red/Green/Blue/Yellow
- Brightness adjustment with SBI-RGB controller



ANSCHLUSSSCHEMA siehe
DOKUMENTE → Beipackzettel S. 2



CONNECTION DIAGRAM see
DOCUMENTS → Instruction leaflet p. 2

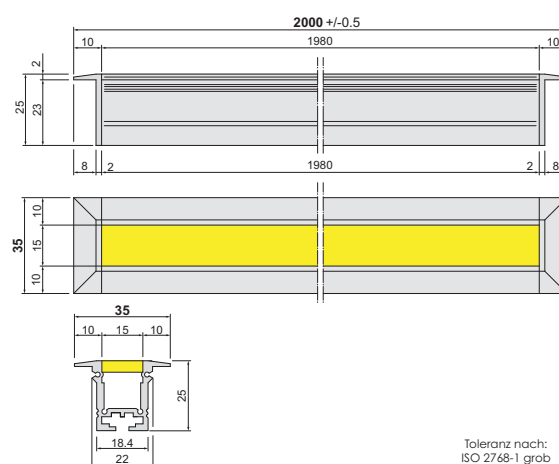


SCHÉMA DE CONNEXION voir
DOCUMENTS → Notice d'utilisation p. 2

Safety instructions

The Instruments are not to be used for safety applications, in particular applications in which safety of persons depends on proper operation of the instruments.

These instruments shall exclusively be used by qualified personnel.



Toleranz nach:
ISO 2768-1 gross

TECHNICAL INFORMATION (typ.)	+20°C
Size	35 x 25 x 2000 mm (Dimensions)
Design	Insertable Status light
Illuminated area	1.900 mm
Light colour	Red, Green, Blue, Yellow, 620 / 523 / 465 / 580 nm
Service voltage	24 V DC ± 5%
Power	4,8 W / m / light color
Current consumption	ca. 200 mA / m /light color
Ambient temperature, operation	-20 ... +40 °C
Protection class	IP 68
Protection degree	III, operation on protective low voltage
Risk group (DIN EN 62471)	Free group
Casing material	Aluminium nature anodized
Material	PMMA walkable (Window)
Connection	Cable, 0,3 m, with connector, M12, 4-poled
Weight	1540 g
Note	Fixing of the T-profile with standard holding brackets
Crush-resistance	100 kg/cm ² , (typical crush-resistance, which can lead to a deformation of the lights and which can may deviate depending on the form, material or surface finish of the load)
Norm	DIN EN 60598-1 2015 General requirements on lights, DIN EN 62471 2009 photobiological security