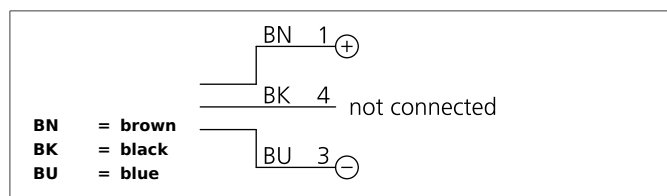


BE 1-A240-G0-K-BS

Barlight

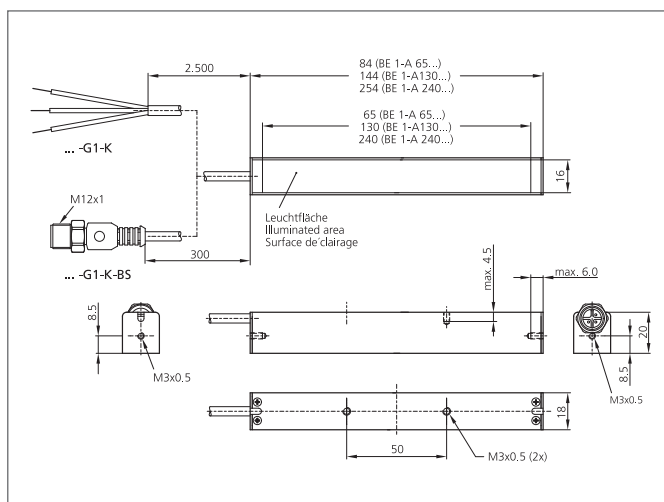
- Very compact design
- Homogenous luminous field
- Cable outlet at the front or back side usable
- Universal mounting possibility
- Metal casing
- High efficiency
- Robust metal casing



Safety instructions

The Instruments are not to be used for safety applications, in particular applications in which safety of persons depends on proper operation of the instruments.

These instruments shall exclusively be used by qualified personnel.



| TECHNICAL INFORMATION (typ.) | +20°C, 24V DC |
|--------------------------------|---|
| Design | Barlight |
| Illuminated area | 240 mm |
| Light colour | Infrared, 870 nm |
| Emission angle FWHM | 34° |
| Illumination intensity | 6500 µW/cm ² (0.1 m), 3200 µW/cm ² (0.2 m), 1000 µW/cm ² (0.5 m) |
| Service voltage | 24 V DC (Supply Class 2) |
| No-load current | 330 mA, (24 V DC) |
| Power | 8,0 W (24 V DC) |
| Shock-/vibration load | 10 ... 55 Hz / 1,0 mm / 30 g |
| Inverse polarity protection | Yes |
| Ambient temperature, operation | 0 ... +40 °C |
| Protection class | IP 20 |
| Protection degree | III, operation on protective low voltage |
| Risk group (DIN EN 62471) | Free group |
| Casing material | Aluminium black anodized |
| Material | PUR (Cable) |
| Connection | Cable, 0,3 m, M12 |
| Connecting cable | VK ... |