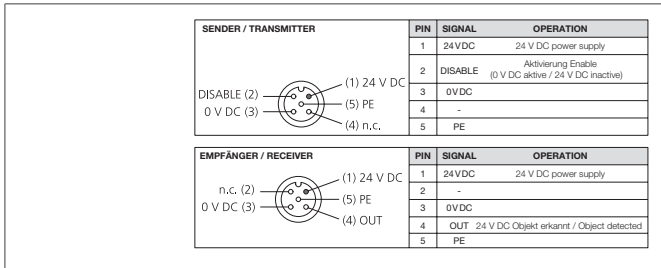
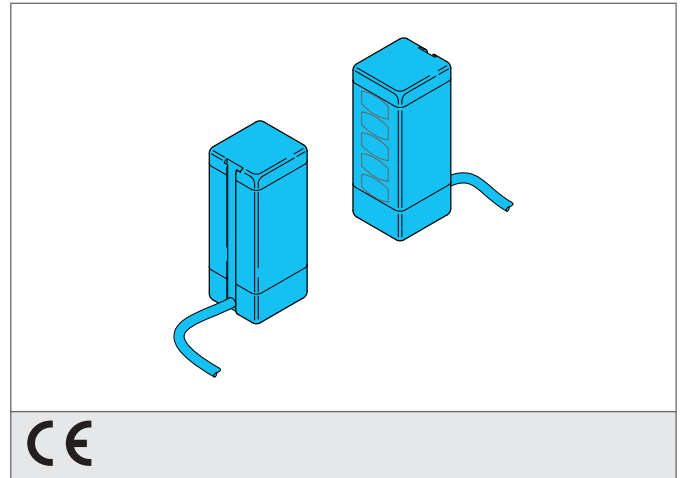


# M5-A

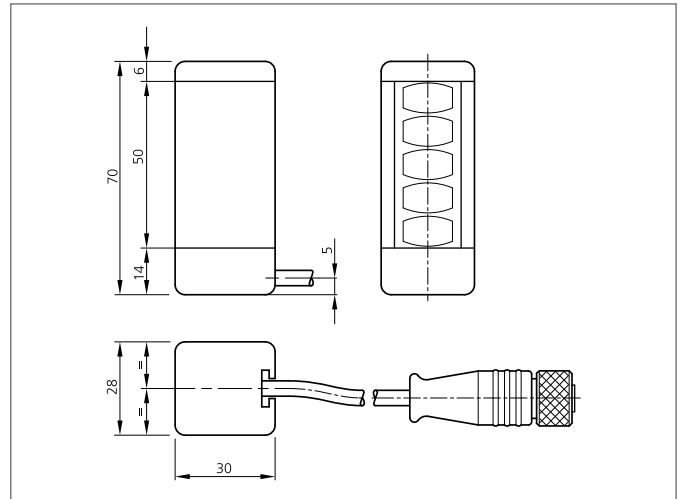
## Muting sensor

- Muting sensor for palletizers
- Detection of irregular loads and pallets
- 5 Beams
- Beam coding



### Safety instructions

All the installation, connection and safety regulations, as per our technical information, have to be strictly adhered to. The set-up of the products have to be made by skilled staff, only. Repair exclusively made by di-soric.



### TECHNICAL INFORMATION (typ.)

Mounting	T-shaped slot (Backside)
Operating principle	Through beam sensor
Size	70 x 28 x 30 mm (Dimensions)
Design	cuboid design
Light beam interspace	10 mm
Number of beams	5
Characteristics	Beam coding A
Service voltage	19,2 ... 28,8 V DC
Switching output	pnp, 100 mA, NO
Display	LED for output status
Reaction time	100 ms
Ambient temperature, operation	-30 ... +55 °C
Protection class	IP 65
Connection	Cable, 0,9 m, with connector, M12, 5-poled