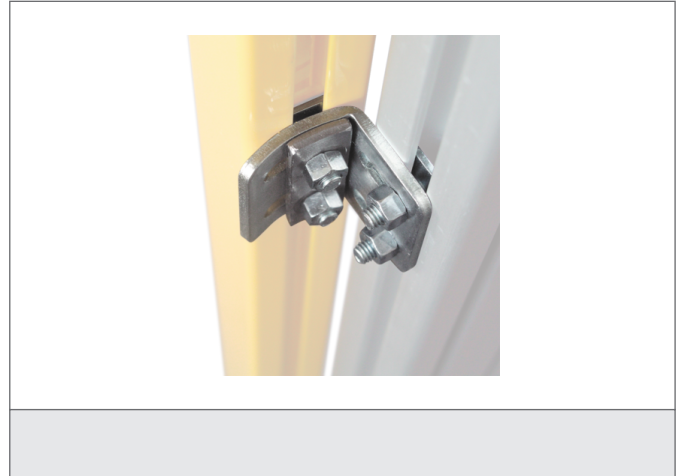


## SFB 6SG

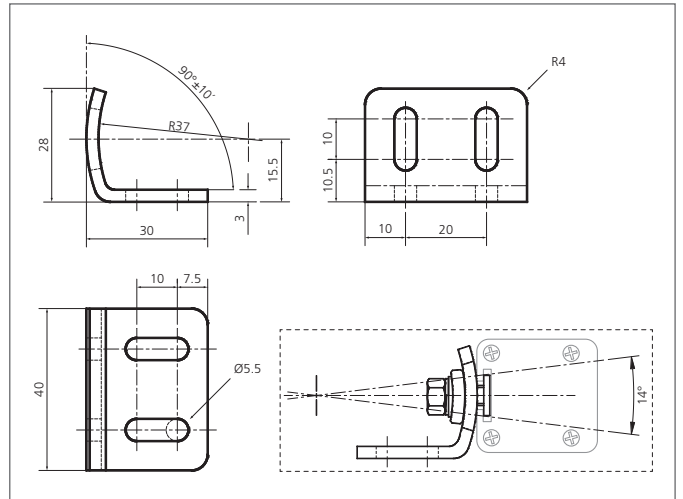
### Adjustable fixing brackets

- Adjustable
- Robust design
- Set includes the for emitter and receiver necessary brackets
- Use is recommended for long distances or the use of deflection mirrors



#### Safety instructions

All the installation, connection and safety regulations, as per our technical information, have to be strictly adhered to.  
The set-up of the products have to be made by skilled staff, only.  
Repair exclusively made by di-soric.



#### TECHNICAL INFORMATION (typ.)

Operating principle	Adjustable fixing bracket
Adjustment range	14°
Suitable for	all light curtains / -grids with a protected height starting from 1210 mm
Material	Zinc plated metal (Fixing brackets)
Scope of delivery	quick installation guide, 6 adjustable fixing brackets, Fixing material