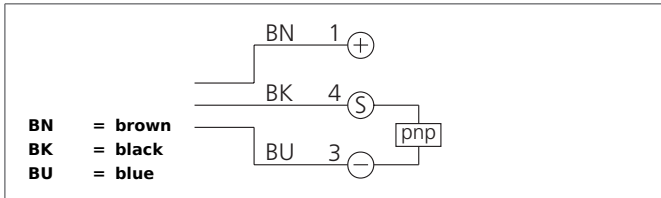
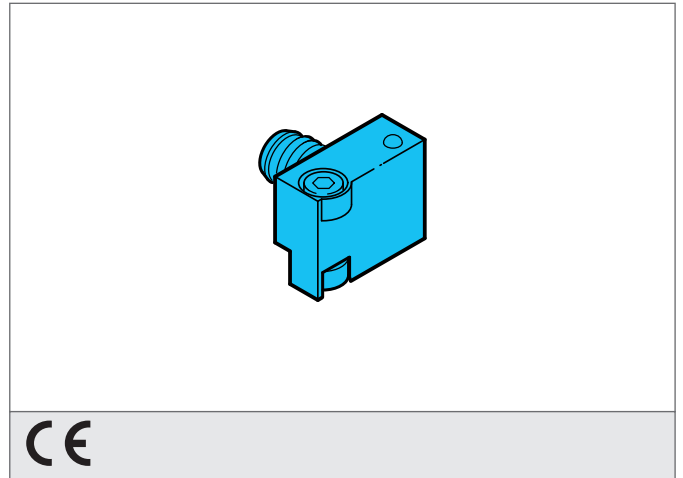


# MZERTI 20 PSK-TSSL

## Cylindre Sensor

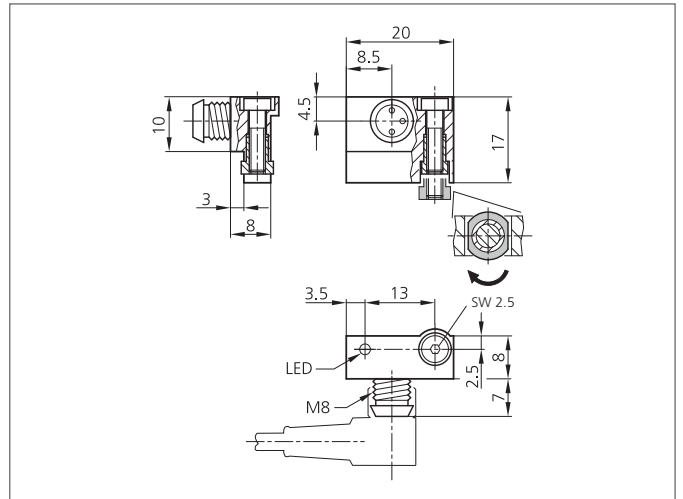
- For pneumatic cylinders with T-shaped slot to be inserted from above
- Compact metal casing with metal connector M8
- All-electronically
- High reproducibility
- High protection class



### Safety instructions

The Instruments are not to be used for safety applications, in particular applications in which safety of persons depends on proper operation of the instruments.

These instruments shall exclusively be used by qualified personnel.



| TECHNICAL INFORMATION (typ.)   | +20°C, 24V DC                                   |
|--------------------------------|---|
| Cylinder groove                | T-groove, to be inserted from above in the slot |
| Mounting                       | Locknut   |
| Characteristics                | allen screw SW 2.5 mm                           |
| Maximum rating                 | 200 mA, short-circuit-proof                     |
| Service voltage                | 10 ... 30 V DC                                  |
| No-load current                | < 10 mA   |
| Switching output               | pnp, NO   |
| Display                        | LED: yellow - output signal                     |
| Voltage drop                   | < 2,0 V   |
| Switching frequency            | 1000 Hz   |
| Reproducibility                | 0,1 mm  |
| Ambient temperature, operation | -25 ... +70 °C                                  |
| Insulation voltage endurance   | 500 V   |
| Protection class               | IP 67   |
| Protection degree              | III, operation on protective low voltage        |
| Casing material                | Die-cast zinc                                   |
| Connection                     | Connector, M8                                   |
| Connecting cable               | TK ...  |