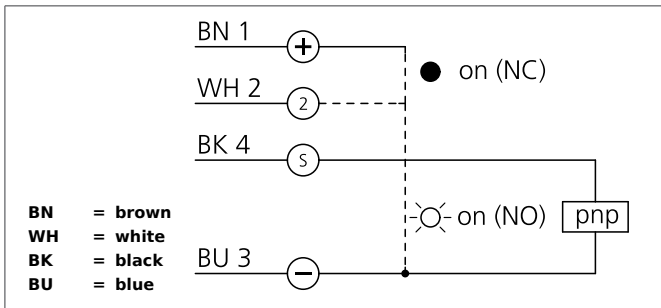
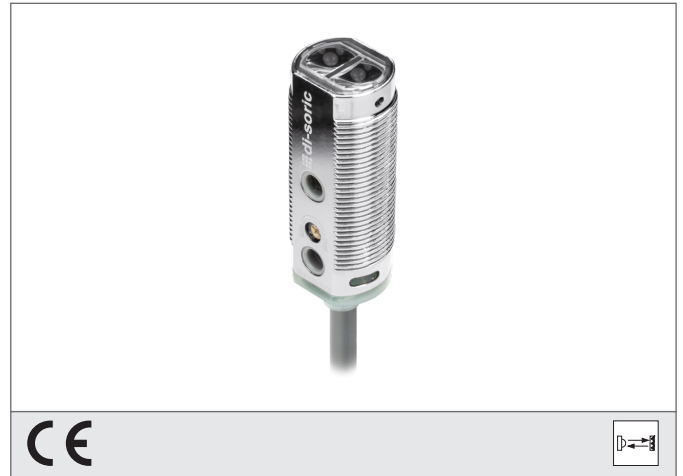


OR 18-1 FM 5700 P3

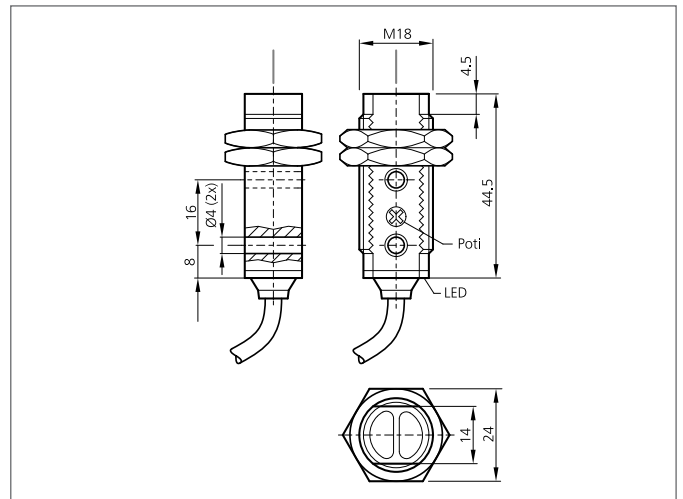
Retroreflective Sensor

- Universal mounting possibility
- Low installation depth
- Sensitivity adjustable
- LED indicator for output state
- Metal casing



Safety instructions

The Instruments are not to be used for safety applications, in particular applications in which safety of persons depends on proper operation of the instruments. These instruments shall exclusively be used by qualified personnel.



| TECHNICAL INFORMATION (typ.) | | +20°C, 24V DC |
|--------------------------------|--|---|
| Operating principle | | Retroreflective sensor |
| Evaluation | | digital |
| Size | | M18 x 1 (thread) |
| Design | | screw |
| Characteristics | | Reflector R 46 included |
| Emitted light | | Red, 660 nm, clocked |
| Service voltage | | 10 ... 30 V DC |
| No-load current | | 30 mA |
| Notee, powered by | | 3000 mm (R 46) 5700 mm (R 84) 6000 mm (R 100x100) |
| Sensitivity adjustment | | potentiometer |
| Referring reflector | | R 46, (included) |
| Switching output | | pnp, 100 mA, NO/NC |
| Shock-/vibration load | | 10 ... 55 Hz / 1,0 mm / 30 g |
| Voltage drop | | < 2,0 V |
| Switching frequency | | 1000 Hz |
| Response-/release time | | 0,50 ms / 0,50 ms |
| Ambient temperature, operation | | -25 ... +55 °C |
| Ambient light immunity | | 3 kLx, clocked light, 10 kLx, Sunlight |
| Protection class | | IP 67 |
| Protection degree | | III, operation on protective low voltage |
| Casing material | | metal |

OR 18-1 FM 5700 P3

Retroreflective Sensor



TECHNICAL INFORMATION (typ.)

+20°C, 24V DC

Material

polymethyl methacrylate (Window)
PVC (Cable)

Connection

Cable, 2,0 m