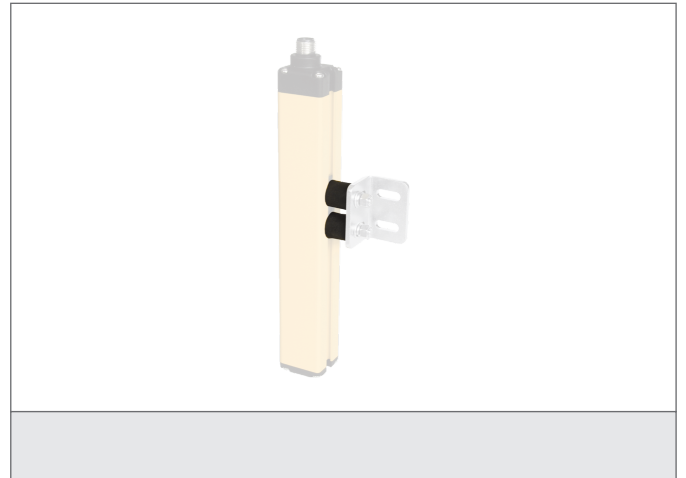


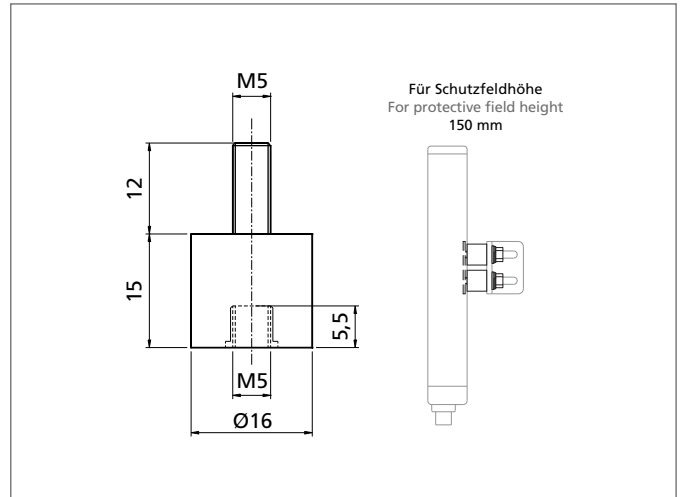
SAV 4E Vibration dampers

- Use is highly recommended in case of strong vibrations (presses, weaving machines etc.)
- Robust design
- Set includes the for emitter and receiver necessary dampers



Safety instructions

All the installation, connection and safety regulations, as per our technical information, have to be strictly adhered to. The set-up of the products have to be made by skilled staff, only. Repair exclusively made by di-soric.



TECHNICAL INFORMATION (typ.)

Operating principle	Vibration damper
Suitable for	all light curtains / -grids with a protected height of 160 mm
Material	Rubber, metal (Vibration dampers)
Scope of delivery	quick installation guide, 4 vibration dampers, Fixing material