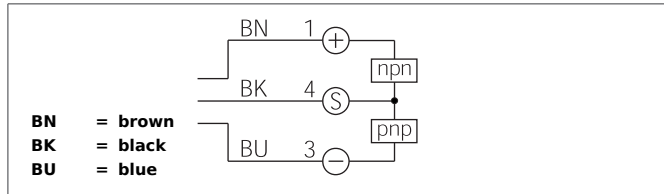


LRT 41 M 2 G3-T3

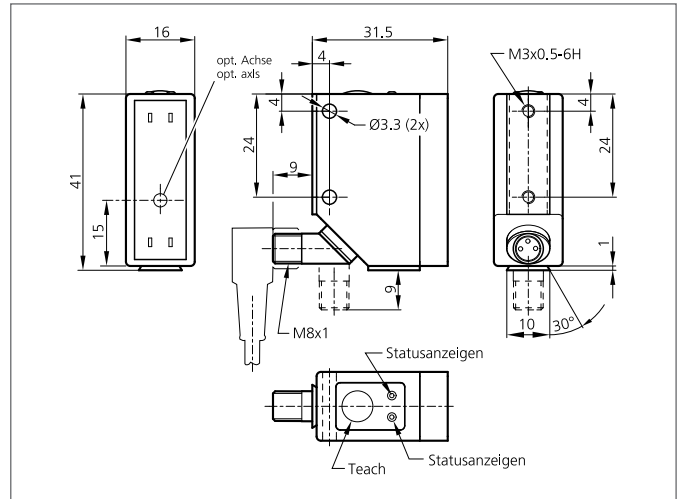
Laser Retroreflective Sensor

- High operating distances with a small design
- Plug, rotatable 270°
- Dovetail groove for secure mounting
- NO/NC changeover by teach button
- Auto and two-point teach procedures
- Auto-collimation principle
- Visible red light with small light spot
- Small metal casing design
- Display for unstable function



Safety instructions

Inproper use may result in hazardous radiation exposure. Pay attention to accident prevention rules and laser class. The instruments are not to be used for safety applications, in particular applications in which safety of persons depends on proper operation of the instruments. These instruments shall exclusively be used by qualified personnel.



TECHNICAL INFORMATION (typ.)	+20°C, 24V DC
Operating principle	Retroreflective sensor
Evaluation	digital
Size	41 x 31,5 x 16 mm (Dimensions)
Design	cuboid design
Emitted light	Red light laser, clocked
Laser class	1 (IEC 60825-1)
Operating distance	2000 mm
Service voltage	10 ... 30 V DC
No-load current	< 40 mA
Adjustment range	100 ... 2000 mm
Sensitivity adjustment	Teach key
Referring reflector	RL 13 x 17 mm, (included)
Switching output	Push pull, 200 mA, NO/NC, switchable
Switching hysteresis	< 10 %
Shock-/vibration load	10 ... 55 Hz / 1,0 mm / 30 g
Switching frequency	1000 Hz
Reproducibility	< 1 %
Ambient temperature, operation	0 ... +50 °C
Ambient light immunity	50 kLx
Insulation voltage endurance	500 V
Protection class	IP 67
Protection degree	III, operation on protective low voltage
Casing material	Die-cast zinc black lacquered finish

LRT 41 M 2 G3-T3

Laser Retroreflective Sensor



TECHNICAL INFORMATION (typ.)

+20°C, 24V DC

Material	polymethyl methacrylate (Window)
Connection	Connector, M8, 3-poled
Connecting cable	TK ...