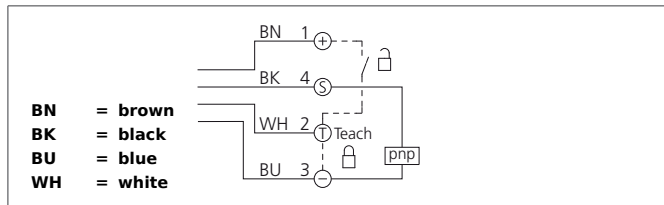


OGUTI 005/100 FP3K-TSSL

Optical Label Sensor

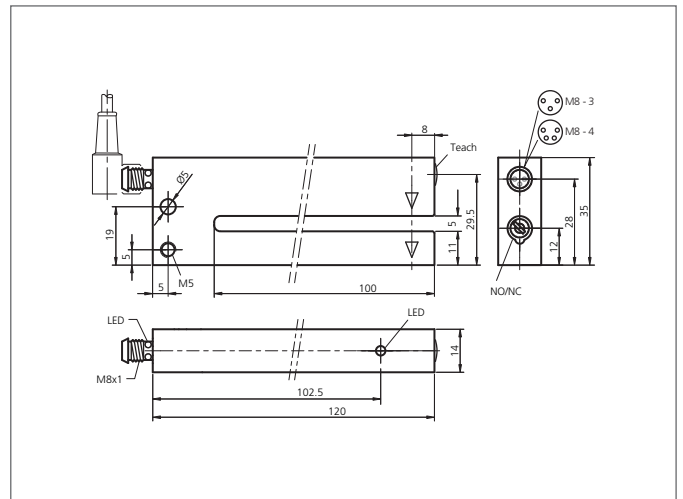


- Fast, simple, reliable: sensitivity adjustment via the teach key
- Auto-teach during a running process
- Remote teach option with key-lock function
- LED indicator for the teach procedure
- Large insertion depth for ideal probing position
- Detection of even the smallest objects
- Large functional reserve
- Light/dark switching
- 5-year warranty



Safety instructions

The Instruments are not to be used for safety applications, in particular applications in which safety of persons depends on proper operation of the instruments.
These instruments shall exclusively be used by qualified personnel.



TECHNICAL INFORMATION (typ.)	+20°C, 24V DC
Operating principle	Optical
Evaluation	digital
Size	35 x 120 x 14 mm (Dimensions)
Design	fork
Fork opening	5 mm
Branch length inside	100 mm
Emitted light	Infrared, 880 nm, clocked
Service voltage	10 ... 35 V DC (Supply Class 2)
No-load current	< 35 mA
Resolution	Ø 0,5 mm
Sensitivity adjustment	Teach key + remote teach
Switching output	pnp, 200 mA, NO/NC, switchable
Switching hysteresis	< 0,1 mm
Shock-/vibration load	10 ... 55 Hz / 1,0 mm / 30 g
Voltage drop	< 2,0 V
Switching frequency	3000 Hz
Reproducibility	< 0,03 mm
Ambient temperature, operation	-10 ... +60 °C
Ambient light immunity	40 kLx
Insulation voltage endurance	500 V
Protection class	IP 67
Protection degree	III, operation on protective low voltage
Casing material	Die-cast zinc black lacquered finish

OGUTI 005/100 FP3K-TSSL
Optical Label Sensor



TECHNICAL INFORMATION (typ.)	+20°C, 24V DC
Connection	Connector, M8, 4-poled
Connecting cable	TK ...