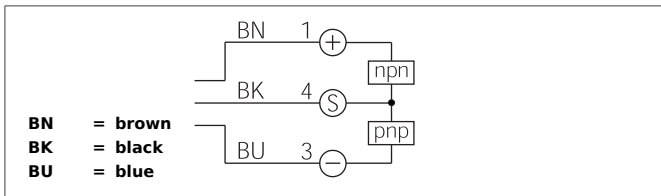


OGUTI 005 G3K-TSSL

Optical Label Sensor

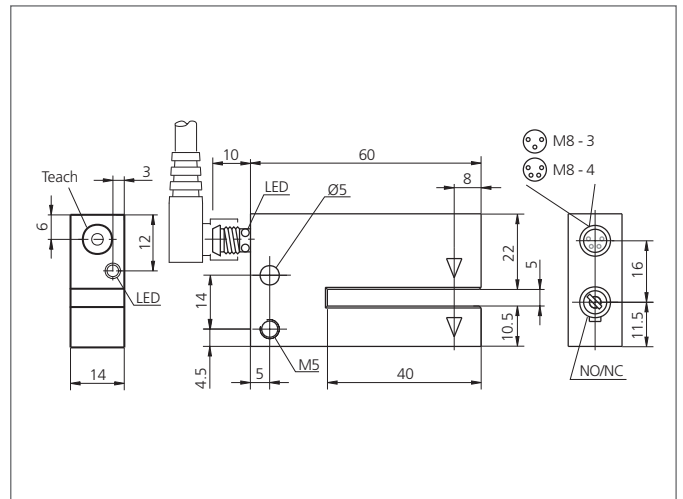
- Fast, simple, reliable: sensitivity adjustment via the teach key
- Auto-teach during a running process
- LED indicator for the teach procedure
- Detection of an extremely wide range of different labels
- Large functional reserve
- Light/dark switching
- 5-year warranty



Safety instructions

The Instruments are not to be used for safety applications, in particular applications in which safety of persons depends on proper operation of the instruments.

These instruments shall exclusively be used by qualified personnel.



TECHNICAL INFORMATION (typ.)		+20°C, 24V DC
Operating principle		Optical
Evaluation		digital
Size		37,5 x 60 x 15 mm (Dimensions)
Design		fork
Fork opening		5 mm
Branch length inside		40 mm
Emitted light		Infrared, 880 nm, clocked
Service voltage		10 ... 35 V DC (Supply Class 2)
No-load current		< 35 mA
Resolution		Ø 0,5 mm
Sensitivity adjustment		Teach key
Switching output		Push pull, 200 mA, NO/NC, switchable
Switching hysteresis		< 0,1 mm
Shock-/vibration load		10 ... 55 Hz / 1,0 mm / 30 g
Voltage drop		< 2,0 V
Switching frequency		3000 Hz
Reproducibility		< 0,03 mm
Ambient temperature, operation		-10 ... +60 °C
Ambient light immunity		40 kLx
Insulation voltage endurance		500 V
Protection class		IP 67
Protection degree		III, operation on protective low voltage
Casing material		Die-cast zinc black lacquered finish

OGUTI 005 G3K-TSSL

Optical Label Sensor



TECHNICAL INFORMATION (typ.)	+20°C, 24V DC
Connection	Connector, M8, 3-poled
Connecting cable	TK ...