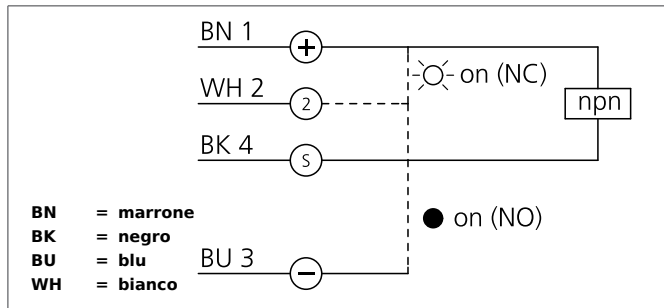


OR 6-18 KR 2000 N3K-BSL

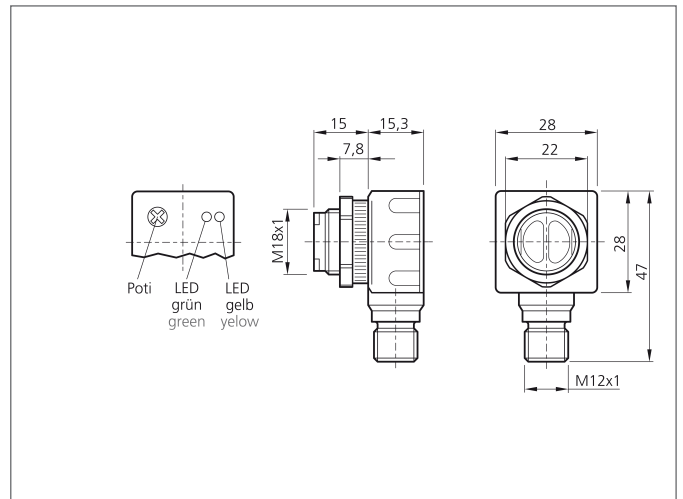
Retroreflective Sensor

- Reflector included
- Plastic housing
- Connector M12
- Infrared light
- Sensitivity adjustable
- LED indicator for output state



Safety instructions

The Instruments are not to be used for safety applications, in particular applications in which safety of persons depends on proper operation of the instruments. These instruments shall exclusively be used by qualified personnel.



TECHNICAL INFORMATION (typ.)		+20°C, 24V DC
Operating principle		Retroreflective sensor
Evaluation		digital
Size		28 x 28 x 15.3 mm (Dimensions) M18 x 1 (thread)
Design		cuboid design
Emitted light		Infrared, 880 nm, clocked
Operating distance		2000 mm, 3000 mm, 6000 mm
Service voltage		10 ... 30 V DC
No-load current		< 30 mA
Notee, powered by		2000 mm (R 46) 3000 mm (R 84) 6000 mm (R 100x100)
Sensitivity adjustment		potentiometer
Referring reflector		R 46, (included)
Switching output		nnp, 100 mA, NO/NC, programmable
Shock-/vibration load		10 ... 55 Hz / 1,0 mm / 30 g
Switching frequency		333 Hz
Response-/release time		1,5 ms / 1,5 ms
Ambient temperature, operation		-25 ... +55 °C
Ambient light immunity		3 kLx, clocked light, 10 kLx, Sunlight
Protection class		IP 66
Protection degree		III, operation on protective low voltage
Casing material		ABS
Material		polymethyl methacrylate (Window)

OR 6-18 KR 2000 N3K-BSL
Retroreflective Sensor



TECHNICAL INFORMATION (typ.)

Connection

+20°C, 24V DC

Connector, M12, 4-poled