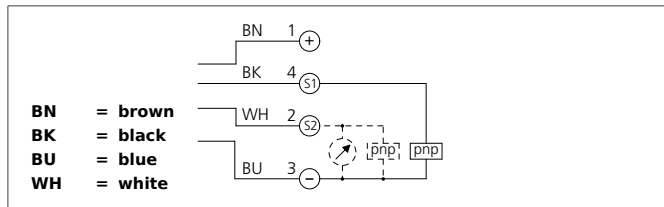


LHT 9-45 M 10 P3IU-B4

Laser Distance Sensor

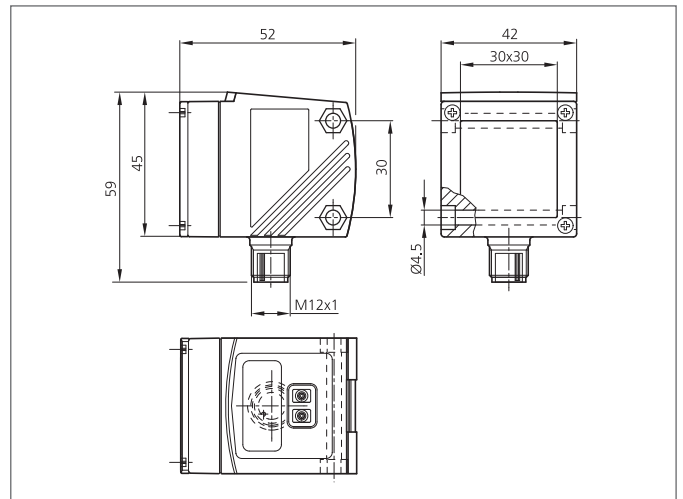


- High operating distance up to 10 m
- Red light laser for simple alignment
- Switching and analog output parameterizable
- Four-digit display parameterizable
- Very good colour and surface independence
- Robust metal casing
- High protection class



Safety instructions

Inproper use may result in hazardous radiation exposure. Pay attention to accident prevention rules and laser class. The instruments are not to be used for safety applications, in particular applications in which safety of persons depends on proper operation of the instruments. These instruments shall exclusively be used by qualified personnel.



TECHNICAL INFORMATION (typ.)	+20°C, 24V DC
Emitted light	Red light laser, 650 nm, clocked
Laser class	2 (IEC 60825-1)
Service voltage	18 ... 30 V DC
No-load current	< 150 mA
Light spot size	Ø 6 mm
Detection range	200 ... 10.000 mm
Switching output	pnp, 200 mA, NO/NC, switchable
Analog output	0 ... 10 V, 4 ... 20 mA, linearised
Shock-/vibration load	10 ... 55 Hz / 1,0 mm / 30 g
Switching frequency	5 Hz
Output sequence frequency	1 ... 33 Hz
Ambient temperature, operation	-10 ... +60 °C
Load resistance	0 ... 10 V, > 5000 Ω / 4 ... 20 mA, < 250 Ω
Ambient light immunity	100 kLx
Protection class	IP 67
Protection degree	III, operation on protective low voltage
Casing material	Die-cast zinc black lacquered finish
Material	glass (Window)
Connection	Connector, M12, 5-poled
Connecting cable	VK ...