

ORVTI 51 M 2000 P3K-IBS

Retroreflective Sensor

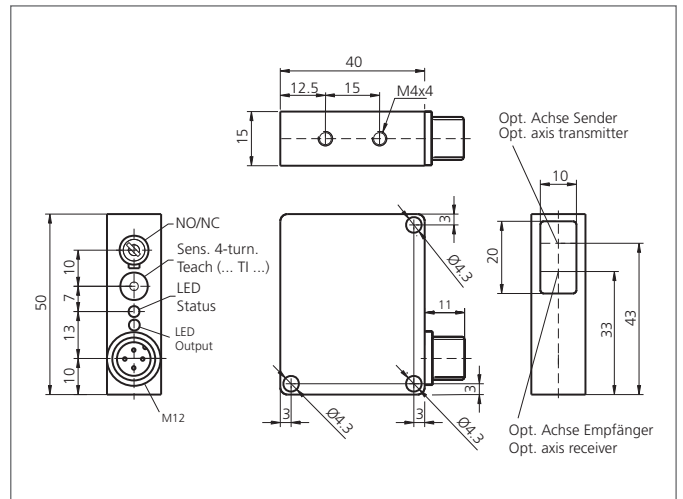
- Red light
- Polarized filter
- Teach function
- High operating frequency
- Bright LED
- Light/dark switching
- Functional reserve indicator/contamination indicator
- Robust metal casing



Safety instructions

The Instruments are not to be used for safety applications, in particular applications in which safety of persons depends on proper operation of the instruments.

These instruments shall exclusively be used by qualified personnel.



| TECHNICAL INFORMATION (typ.) | | +20°C, 24V DC |
|--------------------------------|--|--|
| Operating principle | | Retroreflective sensor |
| Evaluation | | digital |
| Size | | 50 x 40 x 15 mm (Dimensions) |
| Design | | cuboid design |
| Characteristics | | Integrated polarized filter |
| Emitted light | | Red, 660 nm, clocked |
| Operating distance | | 40 ... 2000 mm adjustable |
| Service voltage | | 10 ... 35 V DC |
| No-load current | | < 40 mA |
| Sensitivity adjustment | | Teach key |
| Referring reflector | | 100 x 100 mm |
| Switching output | | pnp, 200 mA, NO/NC, switchable |
| Shock-/vibration load | | 10 ... 55 Hz / 1,0 mm / 30 g |
| Voltage drop | | < 2,0 V |
| Switching frequency | | 1000 Hz |
| Response-/release time | | 0,50 ms / 0,50 ms |
| Ambient temperature, operation | | -10 ... +60 °C |
| Ambient light immunity | | 20 kLx |
| Insulation voltage endurance | | 500 V |
| Protection class | | IP 67 |
| Protection degree | | III, operation on protective low voltage |
| Casing material | | Die-cast zinc black lacquered finish |
| Material | | polymethyl methacrylate (Window) |

ORVTI 51 M 2000 P3K-IBS
Retroreflective Sensor



TECHNICAL INFORMATION (typ.)

Connection

+20°C, 24V DC

Connector, M12, 3-poled