

ORV W 18 M 2000 P2K-IBSL

Retroreflective Sensor

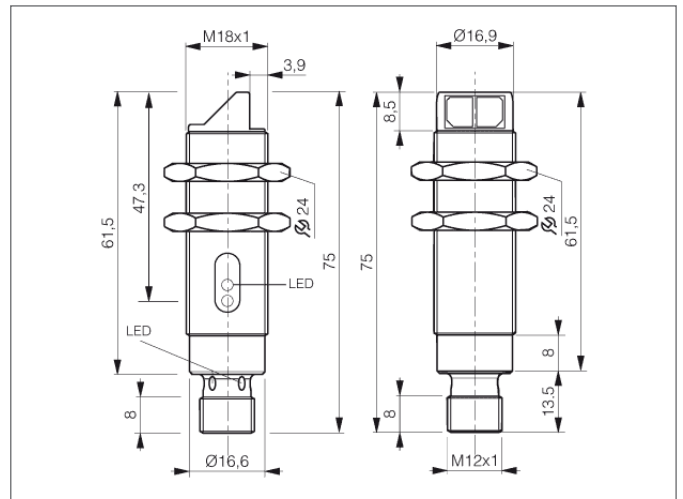
- Compact design, angled optics
- Red light
- Polarized filter
- High resolution, operating frequency, functional reserve
- LED indication of output state and functional reserve
- High operating distance



Safety instructions

The Instruments are not to be used for safety applications, in particular applications in which safety of persons depends on proper operation of the instruments.

These instruments shall exclusively be used by qualified personnel.



TECHNICAL INFORMATION (typ.)		+20°C, 24V DC
Operating principle		Retroreflective sensor
Evaluation		digital
Size		M18 x 1 (thread)
Design		screw
Emitted light		Red, 660 nm, clocked, polarized
Operating distance		2000 mm
Service voltage		10 ... 36 V DC
No-load current		< 20 mA
Sensitivity adjustment		potentiometer
Referring reflector		Ø 84 mm
Switching output		pnp, 200 mA, NO
Shock-/vibration load		10 ... 55 Hz / 1,0 mm / 30 g
Voltage drop		< 2,0 V
Switching frequency		1000 Hz
Response-/release time		0,50 ms / 0,50 ms
Ambient temperature, operation		-25 ... +55 °C
Ambient light immunity		10 kLx
Insulation voltage endurance		1.000 V
Protection class		IP 67
Protection degree		III, operation on protective low voltage
Casing material		brass nickel plated
Material		glass (Window)
Connection		Connector, M12, 3-poled