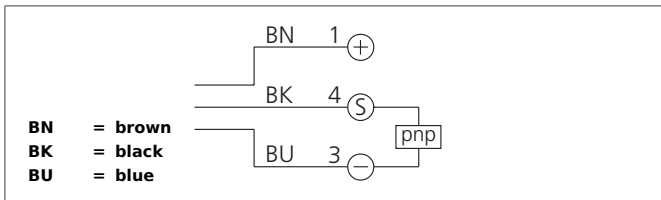


ORV 51 M 5000 P3K-TSSL

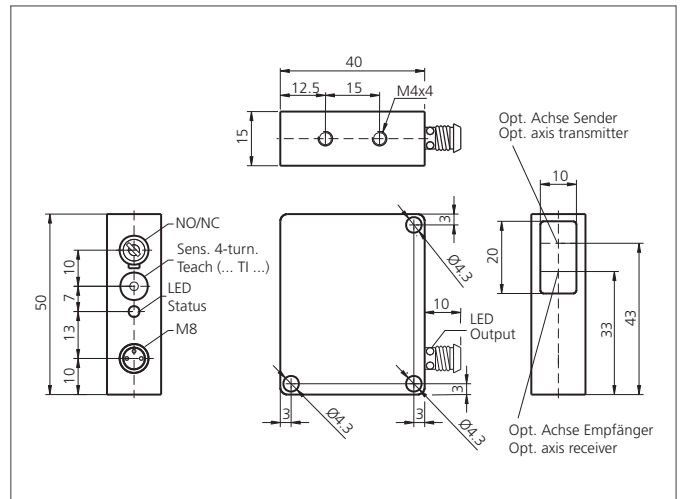
Retroreflective Sensor

- Red light
- Polarized filter
- 4-turn potentiometer
- High operating frequency
- Bright ring LED
- Light/dark switching
- Functional reserve indicator/contamination indicator
- Robust metal casing



Safety instructions

The Instruments are not to be used for safety applications, in particular applications in which safety of persons depends on proper operation of the instruments.
 These instruments shall exclusively be used by qualified personnel.



TECHNICAL INFORMATION (typ.)	
Operating principle	+20°C, 24V DC Retroreflective sensor
Evaluation	digital
Size	50 x 40 x 15 mm (Dimensions)
Design	cuboid design
Characteristics	Integrated polarized filter
Emitted light	Red, 660 nm, clocked
Operating distance	300 ... 5000 mm adjustable
Service voltage	10 ... 35 V DC
No-load current	< 40 mA
Sensitivity adjustment	Potentiometer 4-way
Referring reflector	100 x 100 mm
Switching output	pnp, 200 mA, NO/NC, switchable
Shock-/vibration load	10 ... 55 Hz / 1,0 mm / 30 g
Voltage drop	< 2,0 V
Switching frequency	1000 Hz
Response-/release time	0,50 ms / 0,50 ms
Ambient temperature, operation	-10 ... +60 °C
Ambient light immunity	20 kLx
Insulation voltage endurance	500 V
Protection class	IP 67
Protection degree	III, operation on protective low voltage
Casing material	Die-cast zinc black lacquered finish
Material	polymethyl methacrylate (Window)

ORV 51 M 5000 P3K-TSSL
Retroreflective Sensor



TECHNICAL INFORMATION (typ.)

Connection

+20°C, 24V DC

Connector, M8, 3-poled