

ORV 30 K 2000 N1K-TSSL Retroreflective Sensor

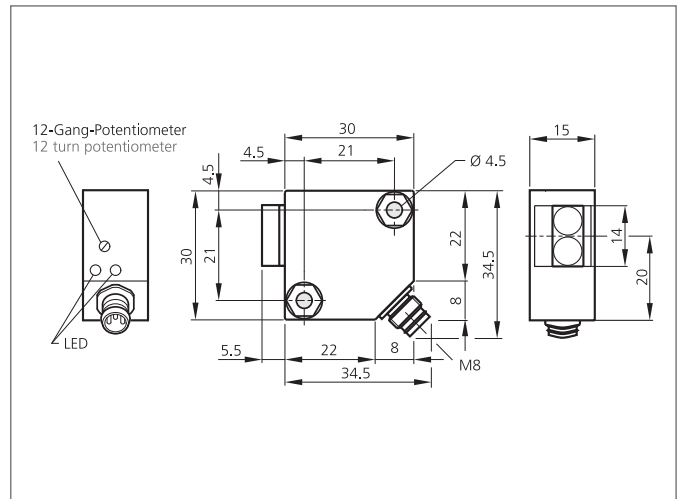
- Small design
- Red light
- Sensitivity adjustable, large operating distance
- Polarized filter



Safety instructions

The Instruments are not to be used for safety applications, in particular applications in which safety of persons depends on proper operation of the instruments.

These instruments shall exclusively be used by qualified personnel.



| TECHNICAL INFORMATION (typ.) | | +20°C, 24V DC |
|--------------------------------|--|--|
| Operating principle | | Retroreflective sensor |
| Evaluation | | digital |
| Size | | 30 x 30 x 15 mm (Dimensions) |
| Design | | cuboid design |
| Characteristics | | Integrated polarized filter |
| Emitted light | | Red, 660 nm, clocked |
| Operating distance | | 200 ... 2000 mm adjustable |
| Service voltage | | 10 ... 36 V DC |
| No-load current | | < 15 mA |
| Sensitivity adjustment | | Potentiometer 12-way |
| Referring reflector | | Ø 84 mm, R 84 |
| Switching output | | npn, 200 mA, NC |
| Switching hysteresis | | < 10 % |
| Shock-/vibration load | | 10 ... 55 Hz / 1,0 mm / 30 g |
| Voltage drop | | < 2,0 V |
| Switching frequency | | 1000 Hz |
| Response-/release time | | 0,50 ms / 0,50 ms |
| Ambient temperature, operation | | -25 ... +55 °C |
| Ambient light immunity | | 10 kLx |
| Insulation voltage endurance | | 500 V |
| Protection class | | IP 67 |
| Protection degree | | III, operation on protective low voltage |
| Casing material | | plastics (PBT) |

ORV 30 K 2000 N1K-TSSL

Retroreflective Sensor



| | |
|-------------------------------------|------------------------|
| TECHNICAL INFORMATION (typ.) | +20°C, 24V DC |
| Material | glass (Window) |
| Connection | Connector, M8, 3-poled |