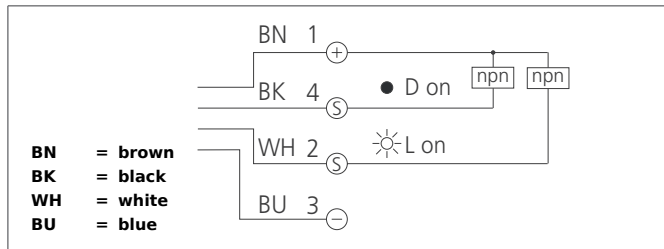
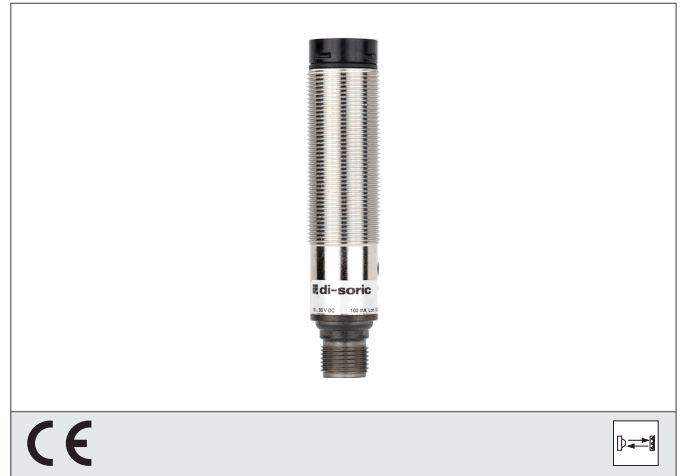


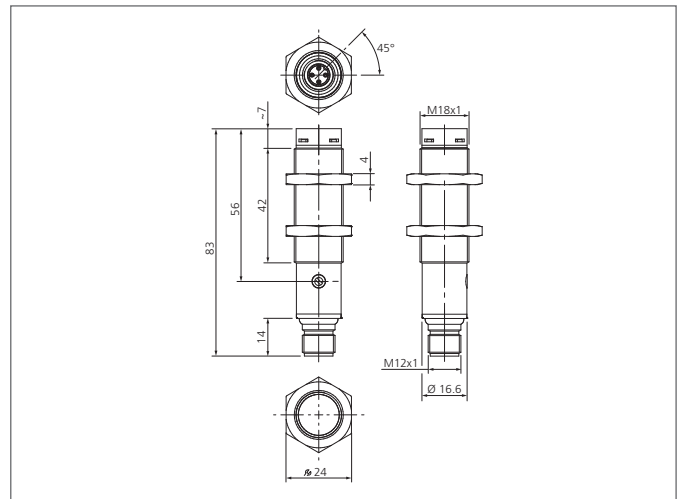
# OR 18-1 M 3000 N4-B4 Retroreflective Sensor

- Compact design
- Red light
- Polarized filter
- Sensitivity adjustable
- High resolution, operating frequency, functional reserve
- High operating distance
- Antivalent output



### Safety instructions

The Instruments are not to be used for safety applications, in particular applications in which safety of persons depends on proper operation of the instruments.  
These instruments shall exclusively be used by qualified personnel.



TECHNICAL INFORMATION (typ.)		+20°C, 24V DC
Operating principle		Retroreflective sensor
Evaluation		digital
Size		M18 x 1 (thread)
Design		screw
Emitted light		Red, 660 nm, clocked, polarized
Operating distance		3000 mm
Service voltage		10 ... 30 V DC
No-load current		< 30 mA
Sensitivity adjustment		potentiometer
Referring reflector		Ø 84 mm, R 84
Switching output		npn, 100 mA, exclusive OR
Switching hysteresis		< 10 %
Shock-/vibration load		10 ... 55 Hz / 1,0 mm / 30 g
Voltage drop		< 2,0 V
Switching frequency		250 Hz
Response-/release time		2,0 ms / 2,0 ms
Ambient temperature, operation		-25 ... +70 °C
Temperature drift		3 mm/K
Ambient light immunity		5 kLx, Halogen light, 10 kLx, Sunlight
Insulation voltage endurance		500 V
Protection class		IP 67
Protection degree		III, operation on protective low voltage
Casing material		brass nickel plated

# OR 18-1 M 3000 N4-B4 Retroreflective Sensor



TECHNICAL INFORMATION (typ.)		+20°C, 24V DC
Material		polymethyl methacrylate (Window)
Connection		Connector, M12, 4-poled