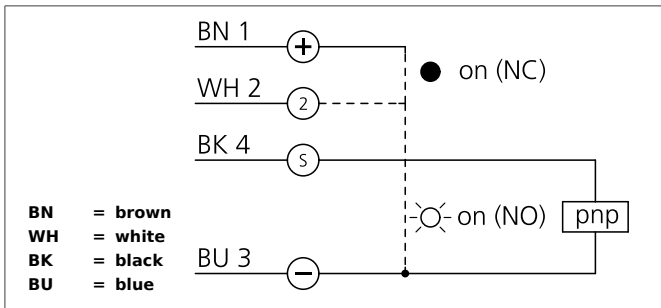


# OR 18-1 FKR 3600 P3-B4

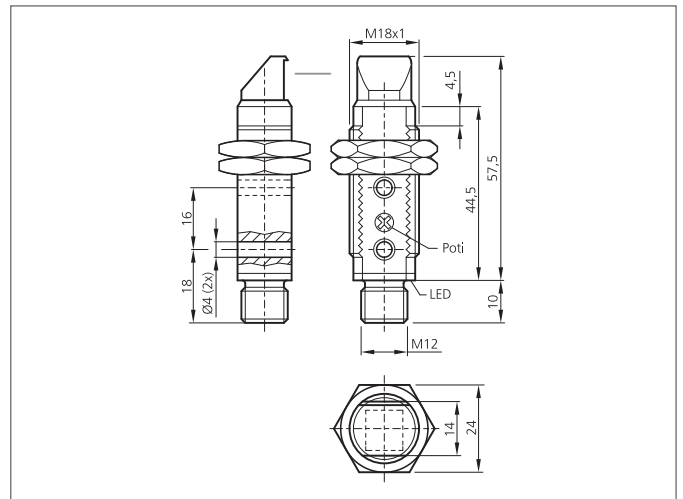
## Retroreflective Sensor

- Angled optics
- Universal mounting possibility
- Low installation depth
- Sensitivity adjustable
- LED indicator for output state
- Plastic housing



### Safety instructions

The Instruments are not to be used for safety applications, in particular applications in which safety of persons depends on proper operation of the instruments.  
These instruments shall exclusively be used by qualified personnel.



TECHNICAL INFORMATION (typ.)	+20°C, 24V DC
Operating principle	Retroreflective sensor
Evaluation	digital
Size	M18 x 1 (thread)
Design	screw
Characteristics	Reflector R 46 included
Emitted light	Red, 660 nm, clocked
Service voltage	10 ... 30 V DC
No-load current	30 mA
Notee, powered by	2000 mm (R 46) 3600 mm (R 84) 4000 mm (R 100x100)
Sensitivity adjustment	potentiometer
Referring reflector	R 46, (included)
Switching output	pnp, 100 mA, NO/NC
Shock-/vibration load	10 ... 55 Hz / 1,0 mm / 30 g
Voltage drop	< 2,0 V
Switching frequency	1000 Hz
Response-/release time	0,50 ms / 0,50 ms
Ambient temperature, operation	-25 ... +55 °C
Ambient light immunity	3 kLx, clocked light, 10 kLx, Sunlight
Protection class	IP 67
Protection degree	III, operation on protective low voltage
Casing material	ABS

# OR 18-1 FKR 3600 P3-B4

## Retroreflective Sensor



TECHNICAL INFORMATION (typ.)		+20°C, 24V DC
Material		polymethyl methacrylate (Window)
Connection		Connector, M12, 4-poled