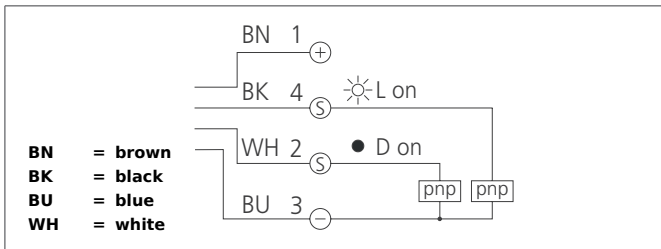


ORV 30 K 4000 P4K-TSSL

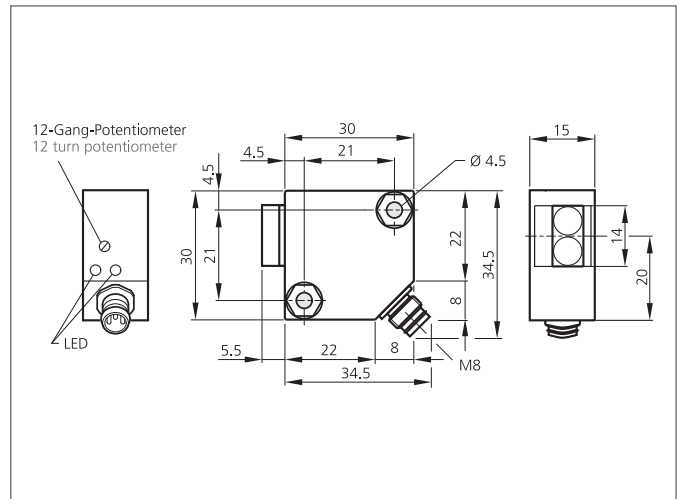
Retroreflective Sensor

- Small design
- Red light
- Sensitivity adjustable, large operating distance
- Polarized filter



Safety instructions

The Instruments are not to be used for safety applications, in particular applications in which safety of persons depends on proper operation of the instruments.
These instruments shall exclusively be used by qualified personnel.



TECHNICAL INFORMATION (typ.)	+20°C, 24V DC
Operating principle	Retroreflective sensor
Evaluation	digital
Size	30 x 30 x 15 mm (Dimensions)
Design	cuboid design
Characteristics	Integrated polarized filter
Emitted light	Red, 660 nm, clocked
Operating distance	200 ... 4000 mm adjustable
Service voltage	10 ... 36 V DC
No-load current	< 20 mA
Sensitivity adjustment	Potentiometer 12-way
Referring reflector	Ø 84 mm, R 84
Switching output	pnp, 200 mA, exclusive OR
Switching hysteresis	< 10 %
Shock-/vibration load	10 ... 55 Hz / 1,0 mm / 30 g
Voltage drop	< 2,0 V
Switching frequency	1000 Hz
Response-/release time	0,50 ms / 0,50 ms
Ambient temperature, operation	-25 ... +55 °C
Ambient light immunity	10 kLx
Insulation voltage endurance	500 V
Protection class	IP 67
Protection degree	III, operation on protective low voltage
Casing material	plastics (PBT)

ORV 30 K 4000 P4K-TSSL

Retroreflective Sensor



TECHNICAL INFORMATION (typ.)	+20°C, 24V DC
Material	glass (Window)
Connection	Connector, M8, 4-poled